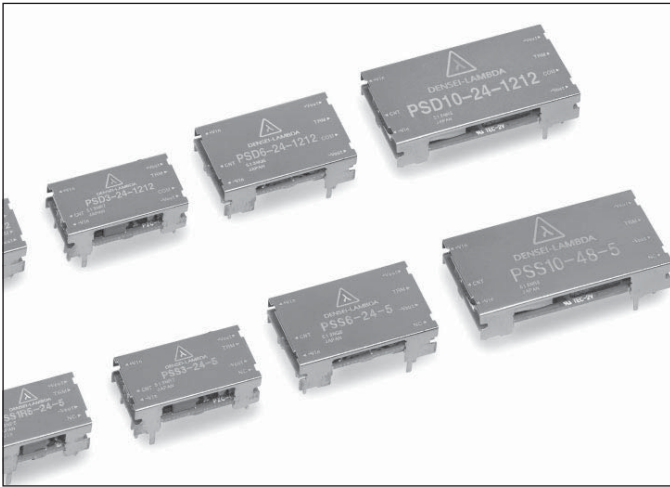


PSS-PSD SERIES

DC/DC Single & Dual Output: 1.5 - 10 Watts

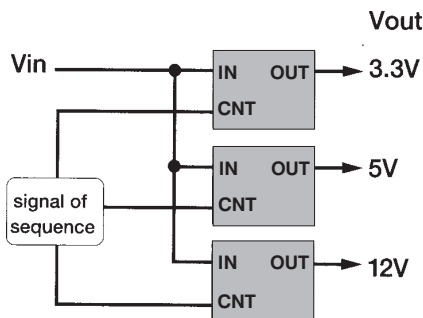


Features

- Wide DC input range
- Surface mount option add "S" to model
- Input voltage 5V, 12V, 24V, and 48VDC
- Low profile 8mm
- Remote ON/OFF (3-10W)
- RoHS compliant
- Adjustable output via TRIM terminal
- Single and Dual output
- Overcurrent protection
- High operating temperature range +85°C
- Input - Output isolation

Remote ON/OFF Control

- (3W, 6W, 10W models)
- Consult office for further application notes on Remote ON/OFF.
 - Example of output sequence control.



[Pin type]



[SMD type]

Specifications

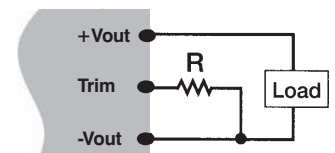
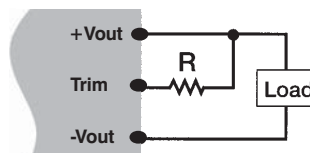
INPUT VOLTAGE:	5VDC (4.5 - 9V) 12VDC (9 - 18V) 24VDC (18 - 36V) 48VDC (36 - 76V)
EFFICIENCY:	Model dependent, typically 85%
OUTPUT VOLTAGE:	Refer to table
VOLTAGE ADJUSTMENT: (by TRIM terminal)	3.3V models: 2.84 - 3.67V 5V models: 4.3 - 6.0V 12V models: 12 - 15V ±12V models: ±12 - ±15V
OUTPUT VOLTAGE ACCURACY:	Output accuracy within ±5% and includes load and line regulation and temperature drift
OUTPUT POWER:	1.5 - 10 watts
PROTECTION:	Output current limiting with auto recovery, maximum 30 sec.
ISOLATION:	Input - Output: 500VDC Input - Case: 500VDC Output - Case: 500VDC
COOLING:	Convection cooled
HUMIDITY:	5-95% RH non-condensing
OPERATING TEMP:	-40°C to 50°C at 100% load and 85°C with derating
REMOTE ON/OFF: (3W - 10W)	CNT terminal short = ON CNT terminal open = OFF
DIMENSIONS:	1.5W: 20 x 16 x 8mm 3.0W: 26 x 16 x 8mm 6.0W: 28.5 x 20.5 x 8mm 10W: 40.5 x 22 x 8mm

Voltage Adjustment

Output voltage adjustment using trim pin

Output Voltage	TRM Open	- Vout Short	+ Vout Short
PSS / 3.3V	3.3V	3.7V	2.8V
PSS / 5V	5V	6V	4.3V
PSS / 12V	12V	15.3V	-
PSD / ±12V	±12V	±12~±15V	-

Output Voltage	TRM Open	Connecting -V and R	Connecting +V and R
PSS / 3.3V	3.3V	3.3~3.7V	2.8~3.3V
PSS / 5V	5V	5~6V	4.3~5V
PSS / 12V	12V	12~15.3V	-
PSD / ±12V	±12V	±12~±15V	-



PSS-PSD SERIES

DC/DC Single & Dual Output: 1.5 - 10 Watts

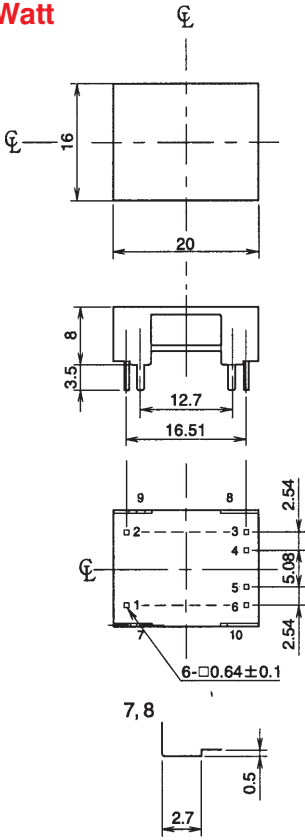
MODEL	Input V	Output		Power W
		V	A	
PSS1R5 - 5 - 3R3	5V	3.3V	0.4A	1.32W
PSS1R - 5 - 5	5V	5V	0.3A	1.5W
PSS1R - 5 - 12	5V	12 / 15V	0.13 / 0.1A	1.5W
PSS1R5 - 12 - 3R3	12V	3.3V	0.4A	1.32W
PSS1R5 - 12 - 5	12V	5V	0.3A	1.5W
PSS1R5 - 12 - 12	12V	12 / 15V	0.13 / 0.1A	1.5W
PSS1R5 - 24 - 3R3	24V	3.3V	0.4A	1.32W
PSS1R5 - 24 - 5	24V	5V	0.3A	1.5W
PSS1R5 - 24 - 12	24V	12 / 15V	0.13 / 0.1A	1.5W
PSS1R5 - 48 - 3R3	48V	3.3V	0.4A	1.32W
PSS1R5 - 48 - 5	48V	5V	0.3A	1.5W
PSS1R5 - 48 - 12	48V	12 / 15V	0.13 / 0.1A	1.5W
PSS3 - 5 - 3R3	5V	3.3V	0.6A	1.98W
PSS3 - 5 - 5	5V	5V	0.6A	3.0W
PSS3 - 5 - 12	5V	12 / 15V	0.25 / 0.2A	3.0W
PSS3 - 12 - 3R3	12V	3.3V	0.6A	1.98W
PSS3 - 12 - 5	12V	5V	0.6A	3.0W
PSS3 - 12 - 12	12V	12 / 15V	0.25 / 0.2A	3.0W
PSS3 - 24 - 3R3	24V	3.3V	0.6A	1.98W
PSS3 - 24 - 5	24V	5V	0.6A	3.0W
PSS3 - 24 - 12	24V	12 / 15V	0.25 / 0.2A	3.0W
PSS3 - 48 - 3R3	48V	3.3V	0.6A	1.98W
PSS3 - 48 - 5	48V	5V	0.6A	3.0W
PSS3 - 48 - 12	48V	12 / 15V	0.25 / 0.2A	3.0W
PSS6 - 5 - 3R3	5V	3.3V	1.2A	3.96W
PSS6 - 5 - 5	5V	5V	1.0A	5.0W
PSS6 - 5 - 12	5V	12 / 15V	0.5A / 0.4A	6.0W
PSS6 - 12 - 3R3	12V	3.3V	1.5A	5.0W
PSS6 - 12 - 5	12V	5V	1.2A	5.0W
PSS6 - 12 - 12	12V	12 / 15V	0.5A / 0.4A	6.0W
PSS6 - 24 - 3R3	24V	3.3V	1.5A	5.0W
PSS6 - 24 - 5	24V	5V	1.2A	5.0W
PSS6 - 24 - 12	24V	12 / 15V	0.5A / 0.4A	6.0W
PSS6 - 48 - 3R3	48V	3.3V	1.5A	5.0W
PSS6 - 48 - 5	48V	5V	1.2A	5.0W
PSS6 - 48 - 12	48V	12 / 15V	0.5A / 0.5A	6.0W
PSS10 - 5 - 3R3	5V	3.3V	2.5A	8.25W
PSS10 - 5 - 5	5V	5V	1.6A	8.0W
PSS10 - 5 - 12	5V	12 / 15V	0.8A / 0.64A	9.6W
PSS10 - 12 - 3R3	12V	3.3V	2.5A	8.25W
PSS10 - 12 - 5	12V	5V	2.0A	10.0W
PSS10 - 12 - 12	12V	12 / 15V	1.0A / 0.8A	12.0W
PSS10 - 24 - 3R3	24V	3.3V	2.5A	8.25W
PSS10 - 24 - 5	24V	5V	2.0A	10.0W
PSS10 - 24 - 12	24V	12 / 15V	1.0A / 0.8A	12.0W
PSS10 - 48 - 3R3	48V	3.3V	2.5A	8.25W
PSS10 - 48 - 5	48V	5V	2.0A	10.0W
PSS10 - 48 - 12	48V	12 / 15V	1.0A / 0.8A	12.0W

MODEL	Input V	Output		Power W
		V	A	
PSD1R5 - 5 - 1212	5V	±12V	±0.065A	1.5W
		±15V	±0.052A	
PSD1R5 - 12 - 1212	12V	±12V	±0.065A	1.5W
		±15V	±0.052A	
PSD1R5 - 24 - 1212	24V	±12V	±0.065A	1.5W
		±15V	±0.052A	
PSD1R5 - 48 - 1212	48V	±12V	±0.065A	1.5W
		±15V	±0.052A	
PSD3 - 5 - 1212	5V	±12V	±0.13A	3.0W
		±15V	±0.104A	
PSD3 - 12 - 1212	12V	±12V	±0.13A	3.0W
		±15V	±0.104A	
PSD3 - 24 - 1212	24V	±12V	±0.13A	3.0W
		±15V	±0.104A	
PSD3 - 48 - 1212	48V	±12V	±0.13A	3.0W
		±15V	±0.104A	
PSD6 - 5 - 1212	5V	±12V	±0.25A	6.0W
		±15V	±0.2A	
PSD6 - 12 - 1212	12V	±12V	±0.25A	6.0W
		±15V	±0.2A	
PSD6 - 24 - 1212	24V	±12V	±0.25A	6.0W
		±15V	±0.2A	
PSD6 - 48 - 1212	48V	±12V	±0.25A	6.0W
		±15V	±0.2A	
PSD10 - 5 - 1212	5V	±12V	±0.35A	8.4W
		±15V	±0.28A	
PSD10 - 12 - 1212	12V	±12V	±0.5A	12.0W
		±15V	±0.4A	
PSD10 - 24 - 12121	24V	±12V	±0.5A	12.0W
		±15V	±0.4A	
PSD10 - 48 - 1212	48V	±12V	±0.5A	12.0W
		±15V	±0.4A	

PSS-PSD SERIES

DC/DC Single & Dual Output: 1.5 - 10 Watts

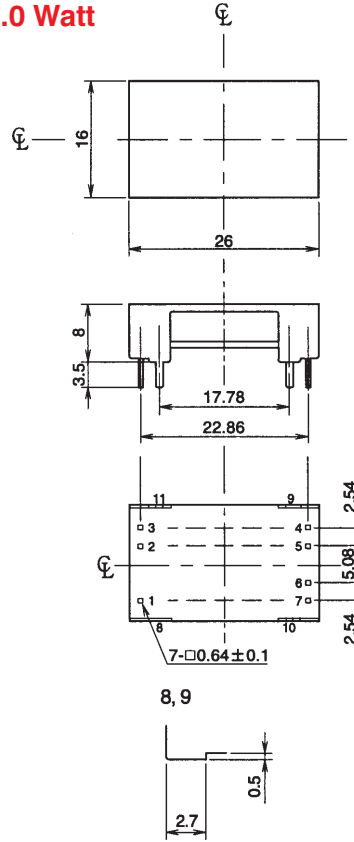
1.5 Watt



- Pin Assignment PSS1R5**
- +Vin
 - Vin
 - NC
 - Vout
 - Trim
 - +Vout

- Pin Assignment PSD1R5**
- +Vin
 - Vin
 - Vout
 - Com
 - Trim
 - +Vout

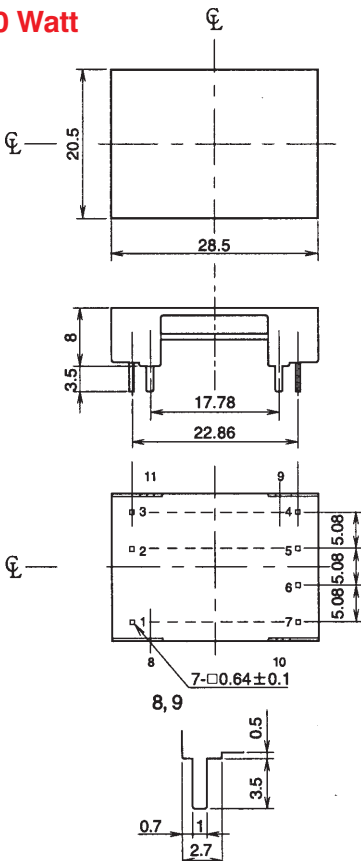
3.0 Watt



- Pin Assignment PSS3**
- +Vin
 - CNT
 - Vin
 - NC
 - Vout
 - Trim
 - +Vout

- Pin Assignment PSD3**
- +Vin
 - CNT
 - Vin
 - Vout
 - Com
 - Trim
 - +Vout

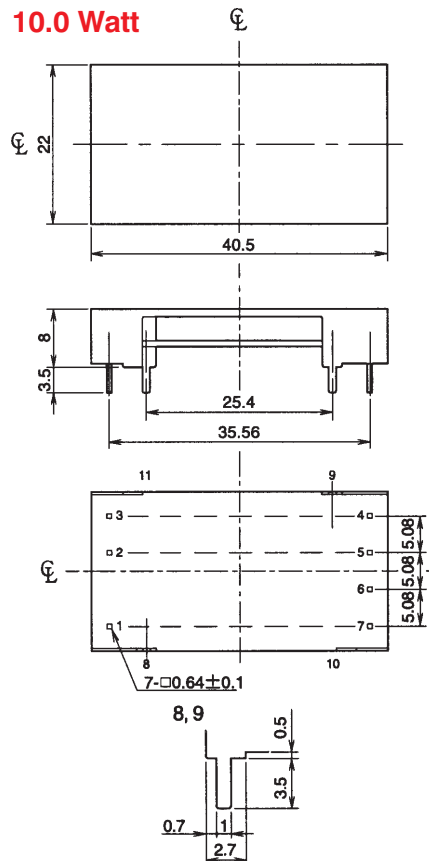
6.0 Watt



- Pin Assignment PSS6**
- +Vin
 - CNT
 - Vin
 - NC
 - Vout
 - Trim
 - +Vout

- Pin Assignment PSD6**
- +Vin
 - CNT
 - Vin
 - Vout
 - Com
 - Trim
 - +Vout

10.0 Watt



- Pin Assignment PSS10**
- +Vin
 - CNT
 - Vin
 - NC
 - Vout
 - Trim
 - +Vout

- Pin Assignment PSD10**
- +Vin
 - CNT
 - Vin
 - Vout
 - Com
 - Trim
 - +Vout