

LXV75 SERIES

Constant Voltage LED Power Supplies: 75 Watts



Features

- **Constant Voltage** LED power supplies
 - Universal input voltage 90 ~ 264Vac
 - Active Power Factor Correction typically 0.99
 - Output voltage options 12 ~ 105vdc
 - IP67 waterproof enclosure
 - Overvoltage protection and Short Circuit protection
 - Over temperature protection
 - -35°C to +70°C operation
 - EN55015 Conducted & Radiated Level B
 - Safety: EN61347-1 and UL8750, CE
- Safety approval no: NSW24814



Specifications

| | |
|---------------------------|--|
| Input Voltage | 90 ~ 264VAC |
| | • Optional 90-305VAC, add “W” to model |
| Input Current | 0.90A @ 110vac input |
| Frequency | 47 ~ 63Hz |
| Output Power | 75 watts |
| Power Factor | 0.99 at 240vac |
| Output Voltage | See table, accuracy typically 5% |
| Efficiency | Model dependant 90 ~ 93% |
| Voltage Range | Fixed |
| Minimum Load | Zero |
| Regulation-Line | ±1% |
| Regulation-Load | ±2% |
| Dynamic Response | Voltage deviation 5% for 25~75% load step, recovery within 10ms |
| Ripple & Noise | 2% pk-pk, 20MHz Bandwidth |
| | With 0.1uF and 10uF capacitor connected on output |
| Overshoot | 10% |
| Turn-on Delay | 3sec, measured at 230vac 100% load |
| Isolation | Input ~ output: 3000VAC Input ~ Chassis: 1500VAC Output ~ Chassis: 500VDC |
| | • Input-Output isolation test not be carried out on these power supplies. |
| Insulation | Class I |
| Protection | OVP Latching Short circuit protection with auto recovery Over temperature protection |
| Safety | EN61347-1 and UL8750 pending |
| No Load Power | No load power dissipation 1W |
| EMC | EN55015 Conducted Lev B EN55015 Radiated Lev B |
| Immunity | EN61000-4-5 (4KV L-E) |
| Operating Temp. | -35°C to +60°C at 100% load, 70°C @ 80% load. |
| Humidity | 10 ~ 100% RH |
| IP Rating | IP67 waterproof |
| MTBF | Calculated: per Telecordia SR-33 @ 25°C: 2m hrs Lifetime: 100,000hrs |
| Connections | Input & output cable, 650 / 220mm |
| Dimensions | LXV75: 211 x 67 x 37mm 950g |

Description

The **LXV75** series “**Constant Voltage**” LED power supplies, deliver 75 watts in a very compact package and are part of a family of units from 75-300 watts. There’s a large selection of models with output voltage up to 105V and output current options up to 6.25A, for specific LED configurations.

With industry leading efficiencies of up to 94% and IP67 protection, they provide high reliability and performance.

Suitable for a wide range of LED Driver applications. Contact office for LED configuration application notes.

| Model | Output V | Output A | Power W |
|-------------------|----------|----------|---------|
| LXV75-012S | 12V | 6.25A | 75W |
| LXV75-024S | 24V | 3.13A | |
| LXV75-036S | 36V | 2.08A | |
| LXV75-042S | 42V | 1.79A | |
| LXV75-048S | 48V | 1.56A | |
| LXV75-054S | 54V | 1.39A | |
| LXV75-081S | 81V | 0.93A | |
| LXV75-105S | 105V | 0.71A | |

- Optional 90-305VAC, add “W” to model

LXV75 SERIES

Constant Voltage LED Power Supplies: 75 Watts

INPUT / OUTPUT WIRING

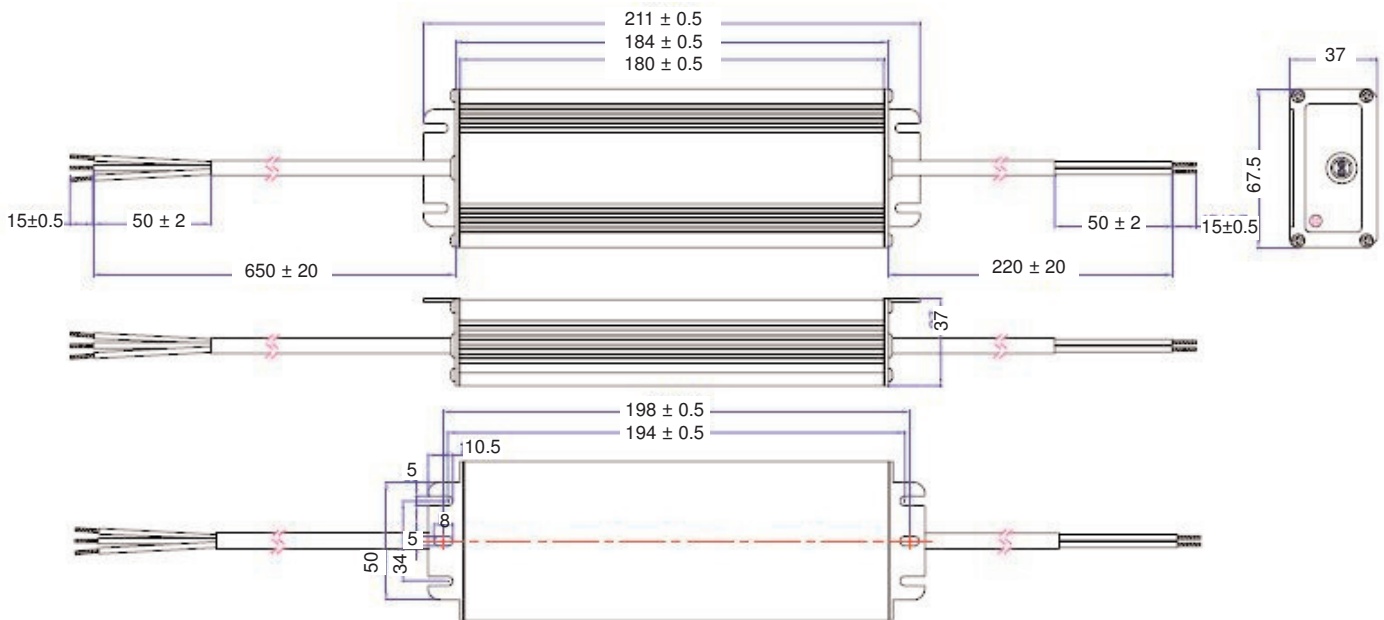
INPUT CABLE

SJTW 18AWG 3C
Black (L) and White(N), Green (E) 650±20mm

OUTPUT CABLE

SJTW 18AWG 2C
Black (-V) and Red (+V) 220±20mm

MECHANICAL SPECIFICATIONS



All Tolerances ± 0.2 mm unless specified