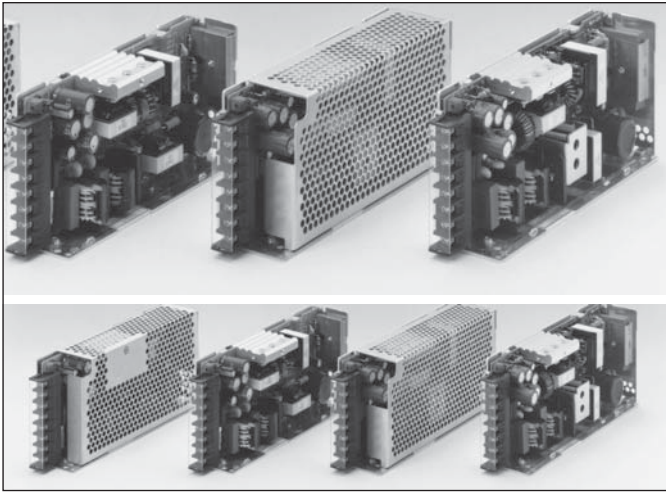


JWT SERIES

AC/DC Multi Output: 75 - 100 Watts



Features

- Universal input 85~264VAC
- Power factor correction
- Harmonic current per EN61000-3-2
- Remote on/off control option
- CE marking to low voltage directive
- Immunity to EN61000-4
- Vented case with screw terminals
- Safety approvals to IEC950, EN60950, UL1950
- Meets international EMC standards
- Suitable for a wide range of industrial applications
- Convection cooled, no fans

Specifications

INPUT VOLTAGE:	85 ~ 264VAC
FREQUENCY:	47 ~ 63Hz
INPUT CURRENT (@230VAC):	JWT75: 0.6A JWT100: 0.7A
INPUT HARMONICS:	Power factor corrected 0.93 EN61000-3-2
EFFICIENCY:	Model dependent typically 72%
OUTPUT VOLTAGE:	Refer to table
VOLTAGE ADJUSTMENT:	V1 only adjustable 5.0~5.25
OUTPUT POWER:	75~100 watts
INRUSH CURRENT:	Typically 28A
LINE REGULATION:	Typically $\pm 0.4\%$
LOAD REGULATION:	Typically $\pm 0.8\%$
PROTECTION:	105% current limiting with auto recovery. 115~135% OVP on V1, will shut down output, recycle input power after approx. one minute
RIPPLE & NOISE:	120~150mV: V1 to V3
HOLD UP TIME:	Typically 20mS at 230VAC
OPERATING TEMP:	0° to +50°C @ 100% load, 0° to +65°C @ 50% load
HUMIDITY:	30~90% RH non-condensing
COOLING:	Convection cooled
ISOLATION:	Input - output: 3000VAC Output - chassis: 500VAC Input - chassis: 2000VAC
VIBRATION:	10~55Hz amplitude. Less than 2G X, Y, Z for one hour
SHOCK:	Less than 20G
SAFETY:	Approved to EN60950, UL1950, CAS950 and UL508
EMC:	EN55022 - B conducted and radiated
IMMUNITY:	IEC1000 - 4 - 2 ESD IEC1000 - 4 - 3 Radiated IEC1000 - 4 - 4 Elect fast transients IEC1000 - 4 - 4 Lightning strike IEC1000 - 4 - 6 Conducted
CONNECTIONS:	Screw terminal connector
DIMENSIONS:	JWT75: 205 x 92 x 42mm 600gm. JWT100: 220 x 92 x 49mm 720gm.
INDICATOR:	DC OK outout LED

MODEL	Output V1	Output V2	Output V3
JWT75-522-A	+5V 0.8~8.0A	+12V 4.0A	-12V 0.5A
JWT75-5FF-A	+5V 0.8~8.0A	+15V 3.2A	-15V 0.5A
JWT75-525-A	+5V 0.8~8.0A	+12V 4.0A	-5V 0.5A
JWT100-522-A	+5V 1.3~13.0A	+12V 5.5A	-12V 1.0A
JWT100-5FF-A	+5V 1.3~13.0A	+15V 4.5A	-15V 1.0A
JWT100-525-A	+5V 1.3~13.0A	+12V 5.5A	-5V 1.0A

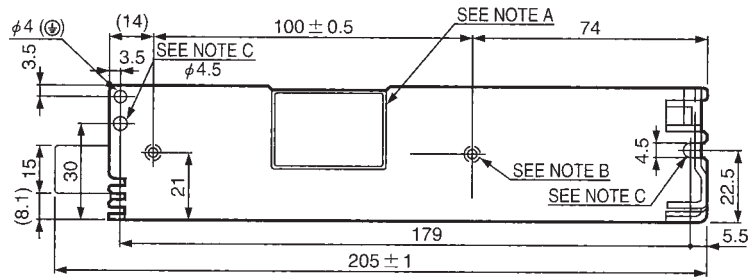
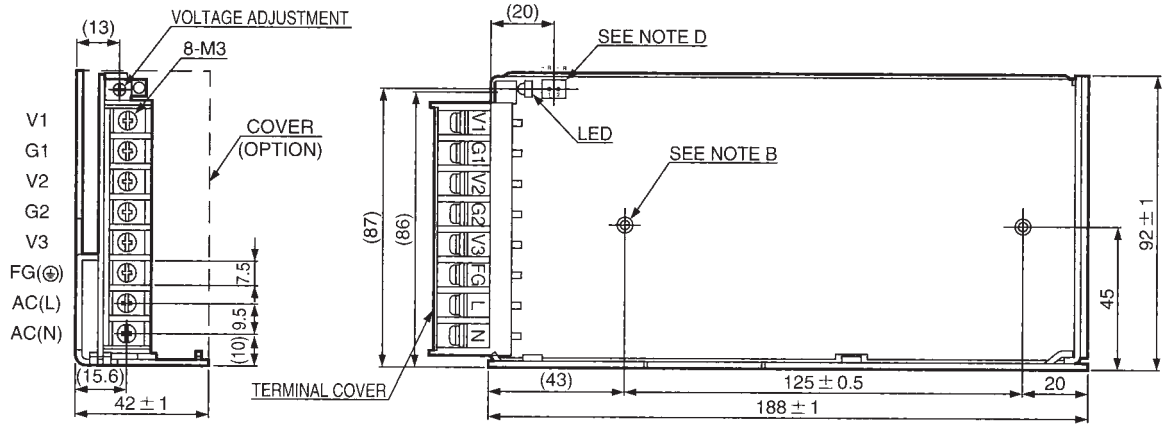
NOTES:

1. JWT75: maximum power 75W, convection cooled.
2. JWT100: maximum power 100W, convection cooled.
3. Minimum load required on V1 to meet design, MTBF and regulation.
4. Units are also available with Molex connector instead of terminal screws.

JWT SERIES

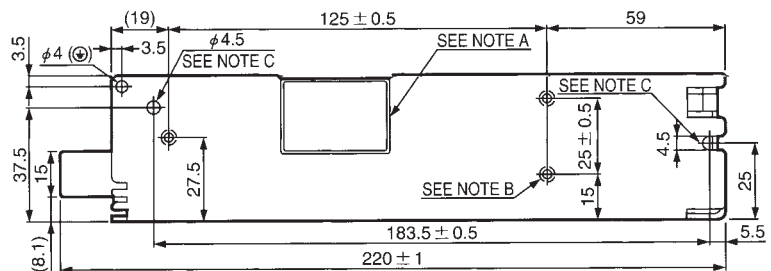
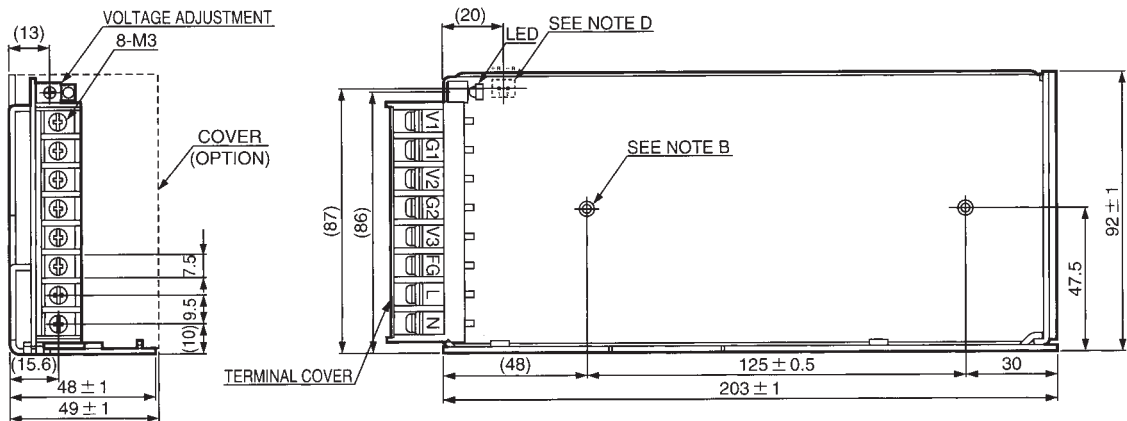
AC/DC Multi Output: 75 - 100 Watts

JWT75



(Unit: mm)

JWT100



(Unit: mm)