

HWS15-150 SERIES

AC / DC Single Output: 15 ~ 150 Watts



Features

- 5th Generation design
- Universal input 85 - 265VAC
- Wide range of models: 15 -150 watts
- Output voltage adjustment
- Short circuit and OVP protection
- Harmonic correction EN61000-3-2 & Power Factor 0.98
- EMC EN55022, Immunity to EN61000-4
- International safety approvals EN60950, UL60950
- Convection cooled & full power to 50°C
- Medical grade option – **ME**
- Industrial grade option - **HD**

Instruction Manual and application notes
available from our website.

Specifications

Input Voltage	85 ~ 265VAC (120 ~ 370VDC)
Frequency	47 ~ 63Hz
Input Current (@ 230VAC)	HWS15: 0.2A HWS30: 0.4A HWS50: 0.4A HWS100: 0.65A HWS150: 0.95A
Power Factor	0.99 ~ 0.95 (50-150W only)
Harmonics	EN61000-3-2
Output Power	15 ~ 150 watts
Efficiency	Model dependent: 73 ~ 88%
Output Voltage	See table
Ripple & Noise	Model dependent: 120 ~240mV (3.3V ~ 48V output)
Line Regulation	Typically ±0.4%
Load Regulation	Typically ±0.6%
Temp Co-efficient	0.02% per °C
Overload Protection	HWS15 – HWS30 Fold Back Current Limiting HWS50-HWS150 Constant current limiting, Hiccup mode with auto recovery
Overvoltage Protection	OVP will shutdown unit. Recycle AC power after 30 seconds to restart.
Hold-Up time	Typically 20ms

Parallel Operation	NO - For N+1 Redundancy, contact our office
Remote Sense	HWS100 - HWS150 models
Remote ON/OFF	Option: HWS50 – HWS150 models
Power Fail Signal	N / A
Indicator	LED for DC Ok
Operating Temp.	-10°C to +50°C @ 100% load, +60°C @ 60% load, +70°C @ 20% load
Humidity	30 ~ 90% RH no dewdrop
Cooling	Convection cooled
Isolation	Input – Output: 3000VAC Input – Case: 2000VAC Output – Case: 500VAC
Safety	Approvals to: UL60950, EN60950, CSA60950, EN50178, SEMI-F47
EMI	EN55011 / EN55022 – B
Immunity	EN61000-4-2, -3, -4, -5, -6, -8, -11.
Dimensions (Includes terminals)	HWS15 99 x 82 x 32mm 189g HWS30 114 x 82 x 32mm 220g HWS50 139 x 82 x 32mm 280g HWS100 179 x 82 x 33mm 450g HWS150 179 x 82 x 42mm 500g

Model	Output		V Range	Power W
	V	A		
HWS15-3A	3.3V	3A	2.9-3.9V	10W
HWS15-5A	5V	3A	4.0 -6.0V	15W
HWS15-12A	12V	1.3A	9.6-14.4V	15W
HWS15-15A	15V	1.0A	12.0 -18.0V	15W
HWS15-24A	24V	0.65A	19.0-28.8V	15W
HWS15-48A	48V	0.33A	38.0 -52.8V	15W
HWS30-3A	3.3V	6A	2.9-3.9V	20W
HWS30-5A	5V	6A	4.0 -6.0V	30W
HWS30-12A	12V	2.5A	9.6-14.4V	30W
HWS30-15A	15V	2.0A	12.0 -18.0V	30W
HWS30-24A	24V	1.3A	19.0-28.8V	30W
HWS30-48A	48V	0.65A	38.0 -52.8V	30W

Model	Output		V Range	Power W
	V	A		
HWS50-3A	3.3V	10A	2.9-3.9V	33W
HWS50-5A	5V	10A	4.0 -6.0V	50W
HWS50-12A	12V	4.3A	9.6-14.4V	50W
HWS50-15A	15V	3.5A	12.0 -18.0V	50W
HWS50-24A	24V	2.2A	19.0-28.8V	50W
HWS50-48A	48V	1.1A	38.0 -52.8V	50W
HWS100-3A	3.3V	20A	2.9-3.9V	66W
HWS100-5A	5V	20A	4.0 -6.0V	100W
HWS100-12A	12V	8.5A	9.6-14.4V	100W
HWS100-15A	15V	7.0A	12.0 -18.0V	100W
HWS100-24A	24V	4.5A	19.0-28.8V	100W
HWS100-48A	48V	2.1A	38.0 -52.8V	100W
HWS150-3A	3.3V	30A	2.9-3.9V	100W
HWS150-5A	5V	30A	4.0 -6.0V	150W
HWS150-12A	12V	13A	9.6-14.4V	150W
HWS150-15A	15V	10A	12.0 -18.0V	150W
HWS150-24A	24V	6.5A	19.0-28.8V	150W
HWS150-48A	48V	3.3A	38.0 -52.8V	150W

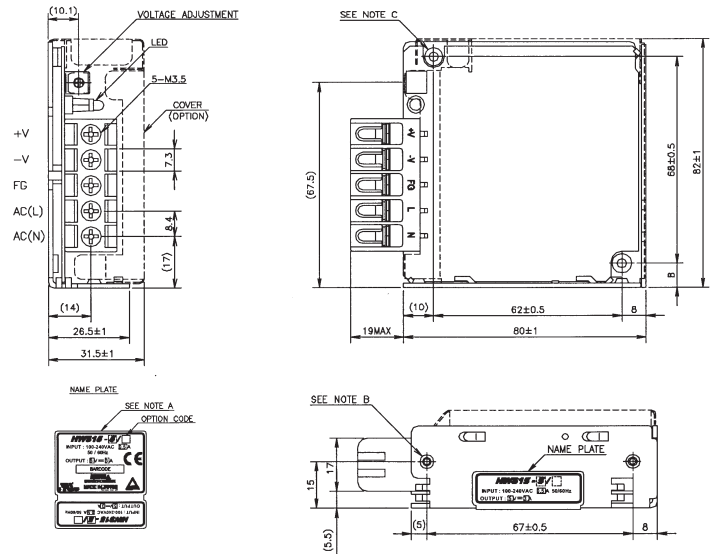
HWS 15 - 150 SERIES

AC/DC Single Output: 15 - 150 Watts

HWS15

NOTES

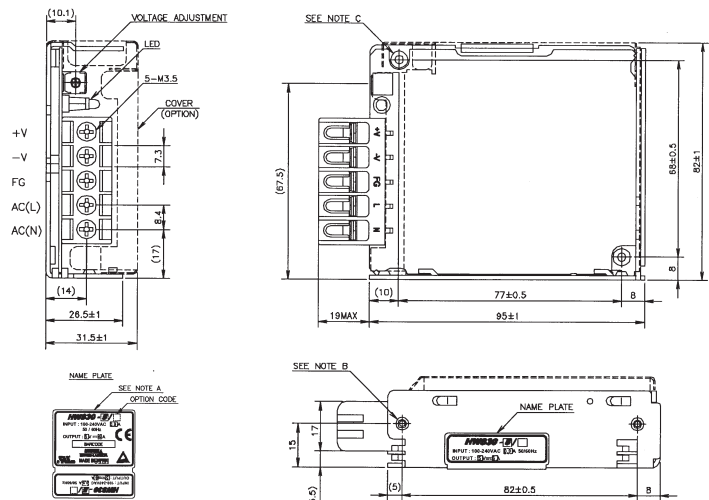
- A : MODEL NAME, OPTION, INPUT VOLTAGE RANGE, NOMINAL OUTPUT VOLTAGE, MAXIMUM OUTPUT CURRENT AND COUNTRY OF MANUFACTURE ARE SHOWN HERE IN ACCORDANCE WITH THE SPECIFICATIONS.
- B : M3 EMBOSSED, TAPPED AND COUNTERSUNK HOLES (2) FOR CUSTOMER CHASSIS MOUNTING. SCREWS MUST NOT PROTRUDE INTO POWER SUPPLY BY MORE THAN 6m/m.
- C : M3 TAPPED HOLES (2) FOR CUSTOMER CHASSIS MOUNTING. SCREWS MUST NOT PROTRUDE INTO POWER SUPPLY BY MORE THAN 6m/m.



HWS30

NOTES

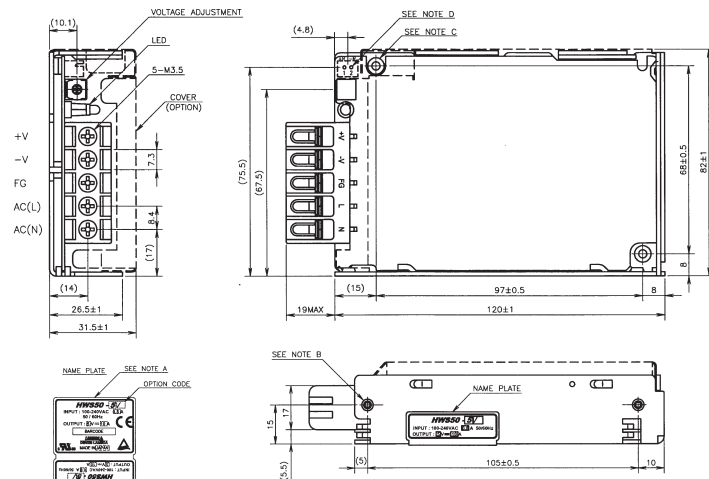
- A : MODEL NAME, OPTION, INPUT VOLTAGE RANGE, NOMINAL OUTPUT VOLTAGE, MAXIMUM OUTPUT CURRENT AND COUNTRY OF MANUFACTURE ARE SHOWN HERE IN ACCORDANCE WITH THE SPECIFICATIONS.
- B : M3 EMBOSSED, TAPPED AND COUNTERSUNK HOLES (2) FOR CUSTOMER CHASSIS MOUNTING. SCREWS MUST NOT PROTRUDE INTO POWER SUPPLY BY MORE THAN 6m/m.
- C : M3 TAPPED HOLES (2) FOR CUSTOMER CHASSIS MOUNTING. SCREWS MUST NOT PROTRUDE INTO POWER SUPPLY BY MORE THAN 6m/m.



HWS50

NOTES

- A : MODEL NAME, OPTION, INPUT VOLTAGE RANGE, NOMINAL OUTPUT VOLTAGE, MAXIMUM OUTPUT CURRENT AND COUNTRY OF MANUFACTURE ARE SHOWN HERE IN ACCORDANCE WITH THE SPECIFICATIONS.
- B : M3 EMBOSSED, TAPPED AND COUNTERSUNK HOLES (2) FOR CUSTOMER CHASSIS MOUNTING. SCREWS MUST NOT PROTRUDE INTO POWER SUPPLY BY MORE THAN 6m/m.
- C : M3 TAPPED HOLES (2) FOR CUSTOMER CHASSIS MOUNTING. SCREWS MUST NOT PROTRUDE INTO POWER SUPPLY BY MORE THAN 6m/m.



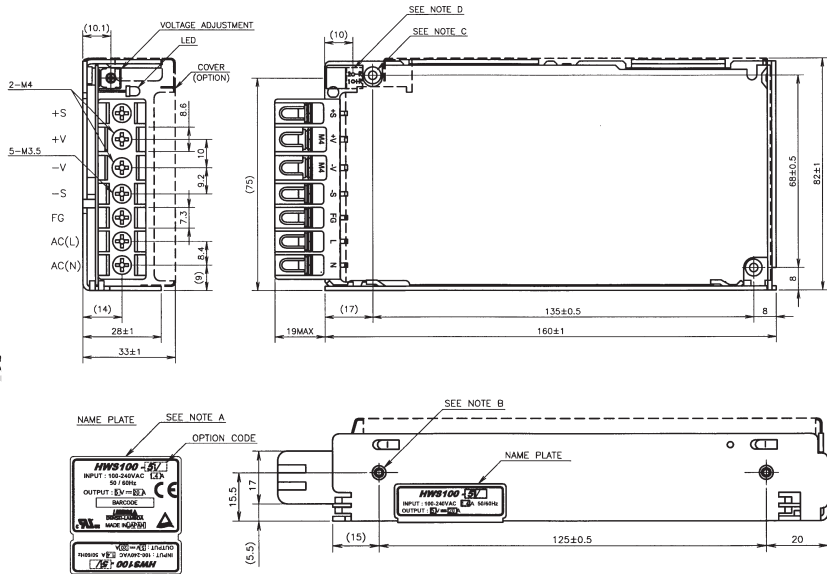
HWS 15 - 150 SERIES

AC/DC Single Output: 15 - 150 Watts

HWS100

NOTES

- A : MODEL NAME, OPTION, INPUT VOLTAGE RANGE, NOMINAL OUTPUT VOLTAGE, MAXIMUM OUTPUT CURRENT AND COUNTRY OF MANUFACTURE ARE SHOWN HERE IN ACCORDANCE WITH THE SPECIFICATIONS.
- B : M3 EMBOSSED, TAPPED AND COUNTERSUNK HOLES (2) FOR CUSTOMER CHASSIS MOUNTING. SCREWS MUST NOT PROTRUDE INTO POWER SUPPLY BY MORE THAN 6m/m.
- C : M3 TAPPED HOLES (2) FOR CUSTOMER CHASSIS MOUNTING. SCREWS MUST NOT PROTRUDE INTO POWER SUPPLY BY MORE THAN 6m/m.
- D: REMOTE ON/OFF CONTROL CONNECTOR --- OPTION B2B-XH-AM (JST)
 MATCHING HOUSING : XHP-2 (JST)
 MATCHING TERMINAL : BXH-001T-P0.6 (JST) OR SXH-001T-P0.6 (JST)
 HAND CRIMPING TOOL : YC-110R (JST) OR YRS-110 (JST)



HWS150

NOTES

- A : MODEL NAME, OPTION, INPUT VOLTAGE RANGE, NOMINAL OUTPUT VOLTAGE, MAXIMUM OUTPUT CURRENT AND COUNTRY OF MANUFACTURE ARE SHOWN HERE IN ACCORDANCE WITH THE SPECIFICATIONS.
- B : M3 EMBOSSED, TAPPED AND COUNTERSUNK HOLES (2) FOR CUSTOMER CHASSIS MOUNTING. SCREWS MUST NOT PROTRUDE INTO POWER SUPPLY BY MORE THAN 6m/m.
- C : M3 TAPPED HOLES (2) FOR CUSTOMER CHASSIS MOUNTING. SCREWS MUST NOT PROTRUDE INTO POWER SUPPLY BY MORE THAN 6m/m.
- D: REMOTE ON/OFF CONTROL CONNECTOR --- OPTION B2B-XH-AM (JST)
 MATCHING HOUSING : XHP-2 (JST)
 MATCHING TERMINAL : BXH-001T-P0.6 (JST) OR SXH-001T-P0.6 (JST)
 HAND CRIMPING TOOL : YC-110R (JST) OR YRS-110 (JST)

