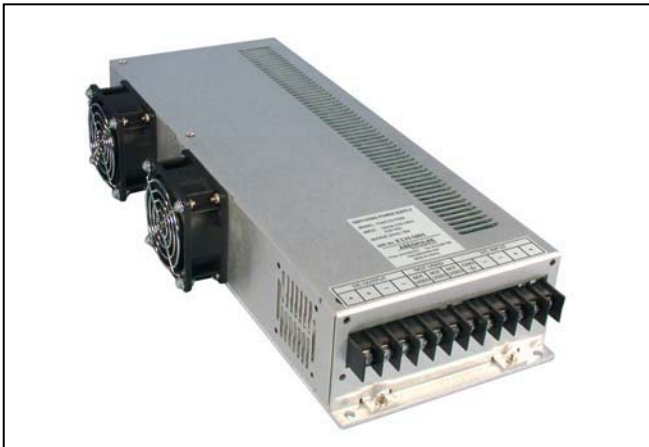


HBC319F SERIES

AC / DC Single Output: 750 Watts



Features

- Industrial grade product
- Input – Output fully isolated
- Regulated output
- Overload & Overvoltage protection
- **N+1** Redundancy option
- Any output from 12 – 125vdc possible
- Voltage output adjustment
- Suitable for a wide range of industrial applications
- EMC EN55022 class A
- Battery charging options

Specifications:

Input Voltage	115 / 230vac ±15% (Link Selectable)
Input Frequency	47 ~ 63Hz
Efficiency	Model dependant, typically 80%
Input Protection	Inrush current limiting Internal fuse
Output Voltage	Any voltage from 12 ~ 120vdc
Voltage Adjustment	±10%
Output Power	750 watts maximum
Ripple & Noise	Typically 1% pk-pk or 0.2% RMS
Load Regulation	±1.5%
Line Regulation	±1.0%
Temp Coefficient	0.03% per °C
Hold Up Time	10mS for 5% voltage drop
Switching Frequency	55kHz
Overcurrent Protection	Rectangular Current limiting with auto recovery, set at approximately 110% of rated output
Overvoltage Protection	Output shutdown, recycle AC input after 1-2 minutes to restart.

Thermal Protection	Thermal shutdown in case of insufficient cooling, with auto restart.
Remote Sense	Not available
Operating Temp.	0°C to +50°C (extended operation option)
Humidity	85% RH (non-condensing)
Isolation Voltage	Input-Output: 4300vdc Input-Chassis: 2250vdc Output-Chassis: 500vdc
Vibration	5-10Hz, 10mm double amplitude, 20 minutes period each along X,Y,Z axis
Shock	294m/s ²
Cooling	Fan cooled
EMI	Conducted EN55022 class A
Immunity	EN61000-4
Connector	Screw terminals
Indicator	Optional
Parallel Operation	Optional with N+1 redundancy
Alarm	Optional
MTBF	>100,000hrs
Dimensions	352 x 157 x 67mm, includes fans (FF4 package)
Weight	3.0kg

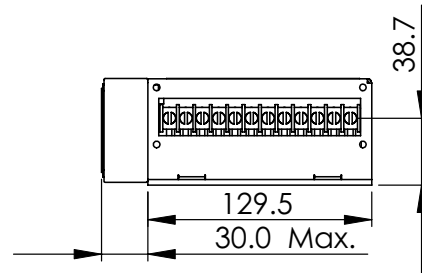
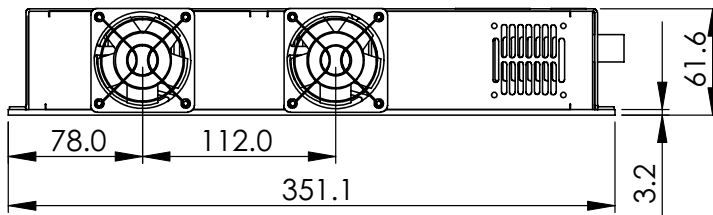
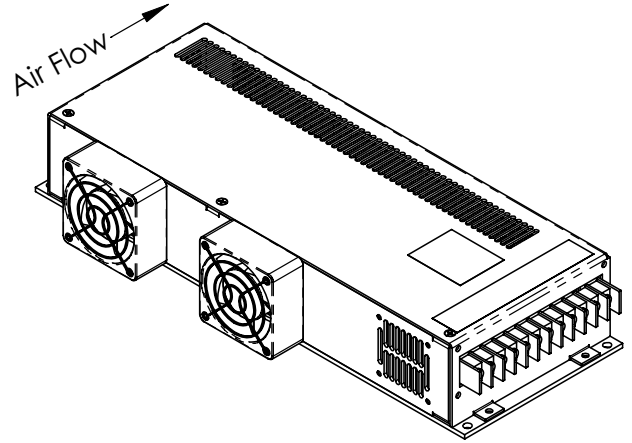
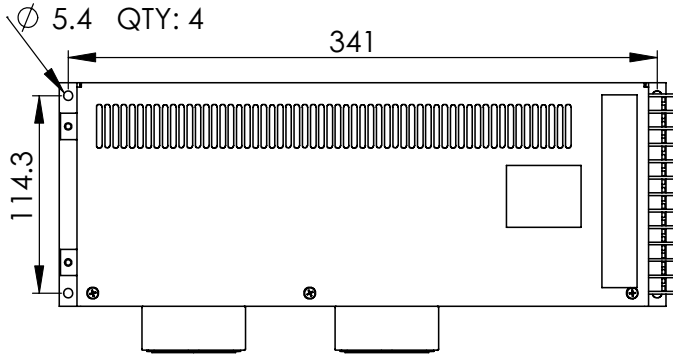
Model	Output		Power W
	V	A	
HBC319F-12	12.0V	50A	600W
HBC319F -13.8	13.8V	50A	690W
HBC319F -15	15.0V	50A	750W
HBC319F -24	24.0V	31A	750W
HBC319F -28	28.0V	27A	750W
HBC319F -36	36.0V	21A	750W
HBC319F -48	48.0V	16A	750W
HBC319F -54	54.0V	14A	750W
HBC319F -110	110V	7A	750W
HBC319F -120	120V	6.3A	750W

Note:

1. Other output voltage options on request
2. Final part number will be factory allocated to reflect output voltage and other options

HBC319F SERIES

AC/DC Single Output: 750 Watts



DC Output					Alarm			AC Input			
N/C	+	+	-	-	Fail Open	Com	Fail Close	GND	GND	AC N	AC L