

# HAE200W SERIES

DC/DC Power Modules: 200 watts



PCB Model

Terminal Block Model

## Features

- NO MINIMUM LOAD REQUIRED
- 2250VDC INPUT TO OUTPUT BASIC INSULATION
- UL60950-1, EN60950-1, & IEC60950-1 SAFETY APPROVALS
- COMPLIANCE TO EN50155 AND EN45545-2 RAILWAY STANDARD
- CE MARKED
- COMPLIANT TO RoHS II & REACH

## Applications

- RAILWAY SYSTEM
- WIRELESS NETWORK
- TELECOM/DATACOM
- INDUSTRY CONTROL SYSTEM
- DISTRIBUTED POWER ARCHITECTURES
- SEMICONDUCTOR EQUIPMENT

**TECHNICAL SPECIFICATION** All specifications are typical at nominal input, full load and 25°C otherwise noted

Model Number	Input Range VDC	Output Voltage VDC	Output Current @Full Load A	Input Current @ No Load mA	Efficiency %	Maximum Cap. Load uF
HAE200-24S3P3WP	9 ~ 36	3.3	50	25	87	151000
HAE200-24S05WP	9 ~ 36	5	36	30	90	72000
HAE200-24S12WP	8.5 ~ 36	12	15	30	89	12500
HAE200-24S15WP	8.5 ~ 36	15	12	30	90	8000
HAE200-24S24WP	8.5 ~ 36	24	7.5	35	90	3100
HAE200-24S28WP	8.5 ~ 36	28	6.5	40	90	2300
HAE200-24S48WP	8.5 ~ 36	48	3.7	45	89	770
HAE200-48S3P3WP	16.5 ~ 75	3.3	50	20	88	151000
HAE200-48S05WP	16.5 ~ 75	5	40	20	91	80000
HAE200-48S12WP	16.5 ~ 75	12	18	20	90	15000
HAE200-48S15WP	16.5 ~ 75	15	14	20	91	9300
HAE200-48S24WP	16.5 ~ 75	24	9	20	90	3700
HAE200-48S28WP	16.5 ~ 75	28	7.5	25	91	2600
HAE200-48S48WP	16.5 ~ 75	48	4.5	25	90	930
HAE200-110S3P3WP	43 ~ 160	3.3	57	10	87	172000
HAE200-110S05WP	43 ~ 160	5	44	10	89	88000
HAE200-110S12WP	43 ~ 160	12	20	10	89	16600
HAE200-110S15WP	43 ~ 160	15	16	10	90	10600
HAE200-110S24WP	43 ~ 160	24	10	10	89	4100
HAE200-110S28WP	43 ~ 160	28	8.5	15	90	3000
HAE200-110S48WP	43 ~ 160	48	5	15	89	1000

## Notes:

- "P" indicates Positive Logic
- For terminal block type, add -T to part number ( HAE200-48S24W-PT )



## PART NUMBER STRUCTURE

Series Name	Input Voltage (VDC)	Output Quantity	Output Voltage (VDC)	Input Range	Ctrl and Pin Options	SYNC Option	CASE pin Option	Through hole type <sup>(1)</sup>	Assembly Option
<b>HAE200 - 48 S 05 W - P Y C TH HS</b>	24:8.5~36 9~36 48:16.5~75 110:43~160	S:Single	3P3:3.3 05:5 12:12 15:15 24:24 28:28 48:48	4:1	□:Negative logic, 0.200" pin length L:Negative logic, 0.145" pin length P:Positive logic, 0.200" pin length S:Positive logic, 0.145" pin length	□:No pin Y:SYNC	□:No pin C:CASE pin	□: Thread TH: No thread	□: None <b>Heat-sink type:</b> HS: Height H=0.45" vertical fin, 7G-0021A-F HS1: Height H=0.24" horizontal fin, 7G-0022A-F HS2: Height H=0.24" vertical fin, 7G-0023A-F HS3: Height H=0.45" horizontal fin, 7G-0024A-F <b>Terminal block type<sup>(2)</sup>:</b> T: Wall mounted TF: Wall mounted with EMC filter <sup>(3)</sup> TF1: Wall mounted with EMC filter can be connected to PE ⚡ <sup>(3)</sup>

(1) The module can't equip Heat-sink with TH option.

(2) No Y and C function for terminal block type, and terminal block type only for 0.200" pin length.

(3) EMI filter meet EN55011, EN55022 Class A.

# HAE200W SERIES

DC/DC Power Modules: 200 watts

## INPUT SPECIFICATIONS

Parameter	Conditions		Min.	Typ.	Max.	Unit
Operating input voltage range	24Vin(nom) 3.3 & 5Vout Others	24Vin(nom)	9	24	36	VDC
		48Vin(nom)	8.5	24	36	
		110Vin(nom)	16.5	48	75	
Start up voltage	24Vin(nom) 48Vin(nom) 110Vin(nom)	24Vin(nom)			9	VDC
		48Vin(nom)			18	
		110Vin(nom)			43	
Shutdown voltage	24Vin(nom) 48Vin(nom) 110Vin(nom)	24Vin(nom)	7.3		8.1	VDC
		48Vin(nom)	15.5		16.3	
		110Vin(nom)	33.0		36.0	
Start up time	Constant resistive load	Power up		75		ms
		Remote ON/OFF		75		
Input surge voltage	1 second, max.	24Vin(nom)			50	VDC
		48Vin(nom)			100	
		110Vin(nom)			185	
Input filter <sup>(1)</sup>				Pi type		
Remote ON/OFF	Referred to -Vin pin	Negative logic DC-DC ON (Standard) DC-DC OFF		Short or 0 ~ 1.2VDC		mA
		Positive logic DC-DC ON (Option) DC-DC OFF		Open or 3 ~ 12 VDC		
		Input current of Ctrl pin	-0.5	1		
Sync pin signal <sup>(2)</sup>		Remote off input current		3		mA
			-0.3		5.6	

## OUTPUT SPECIFICATIONS

Parameter	Conditions	Min.	Typ.	Max.	Unit
Voltage accuracy		-1.0		+1.0	%
Line regulation	Low Line to High Line at Full Load	-0.1		+0.1	%
Load regulation	No Load to Full Load	-0.1		+0.1	%
Voltage adjustability	Maximum output deviation is inclusive of remote sense	-20		+10	%
Remote sense	% of Vout(nom) If remote sense is not being used, Sense pins should be connected to corresponding polarity OUTPUT pins.			10	%
Ripple and noise	Measured by 20MHz bandwidth				
	With a 1µF/25V X7R MLCC and a 22µF/25V POS-CAP	3.3Vout, 5Vout	75		mVp-p
	With a 1µF/25V X7R MLCC and a 22µF/25V POS-CAP	12Vout, 15Vout	100		
	With a 4.7µF/50V X7R MLCC	24Vout, 28Vout	200		
With a 2.2µF/100V X7R MLCC	48Vout	300			
Temperature coefficient		-0.02		+0.02	%/°C
Transient response recovery time	25% load step change		200	250	µs
Over voltage protection	% of Vout(nom); Hiccup mode	115		130	%
Over load protection	% of Iout rated; Hiccup mode	120		150	%
Short circuit protection			Continuous, automatic recovery		

## GENERAL SPECIFICATIONS

Parameter	Conditions	Min.	Typ.	Max.	Unit
Isolation voltage	1 minute (Basic insulation)	2250			VDC
		1600			
Isolation resistance	500VDC	1			GΩ
Isolation capacitance				2500	pF
Switching frequency		225	250	275	kHz
Safety approvals					UL60950-1 EN60950-1 IEC60950-1
Case material	24Vin(nom) and 48Vin(nom) 110Vin(nom)				Metal Aluminum base-plate with plastic case
Base material	24Vin(nom) and 48Vin(nom)				FR4 PCB
Potting material					Silicone (UL94 V-0)
Weight	Module stand alone				105g (3.70oz)
	HAE200-□□S□□W -T				235g (8.29oz)
	HAE200-□□S□□W -TF				280g (9.88oz)
	HAE200-□□S□□W -TF1				287g (10.12oz)
MTBF	MIL-HDBK-217F, Full load				2.961×10 <sup>5</sup> hrs

# HAE200W SERIES

DC/DC Power Modules: 200 watts

ENVIRONMENTAL SPECIFICATIONS						
Parameter	Conditions	Min.	Typ.	Max.	Unit	
Operating case temperature	Base-plate	-40		+115	°C	
Over temperature protection			+120		°C	
Storage temperature range	Terminal block type	-40		+105	°C	
	Others	-55		+125	°C	
Thermal impedance <sup>(3)</sup>	Vertical direction by natural convection (20LFM)		6.1		°C/W	
	Module without assembly option		2.8		°C/W	
	Only mount on the iron base-plate		5.1		°C/W	
	Heat-sink type with 0.24" Height		4.6		°C/W	
Thermal shock					MIL-STD-810F	
Shock					EN61373, MIL-STD-810F	
Vibration					EN61373, MIL-STD-810F	
Relative humidity					5% to 95% RH	

EMC SPECIFICATIONS			
Parameter	Conditions	Level	
EMI <sup>(4)</sup>	EN55011, EN55022	Class A Class B	
ESD	EN61000-4-2 Air ± 8kV and Contact ± 6kV	Perf. Criteria A	
Radiated immunity	EN61000-4-3 20V/m	Perf. Criteria A	
Fast transient <sup>(5)</sup>	EN61000-4-4 ± 2kV	Perf. Criteria A	
Surge <sup>(5)</sup>	EN61000-4-5 EN55024 ±2kV and EN50155 ±2kV	Perf. Criteria A	
Conducted immunity	EN61000-4-6 10Vr.m.s	Perf. Criteria A	
Power frequency magnetic field	EN61000-4-8 100A/m continuous; 1000A/m 1 second	Perf. Criteria A	

## Note:

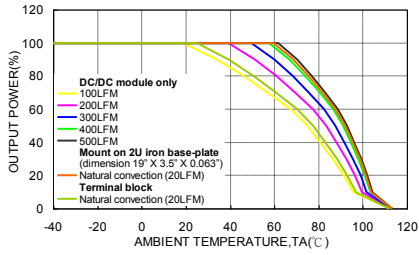
- Input source impedance: The power module will operate as specifications without external components, assuming that the source voltage has a very low impedance and reasonable input voltage regulation. Highly inductive source impedances can affect the stability of the power module. Since real-world voltage source has finite impedance, performance can be improved by adding external filter capacitor.  
The HAE200-24S□□W and HAE200-48S□□W recommended Nippon Chemi-con KY series, 100µF/100V.  
The HAE200-110S□□W recommended Ruby-con BXF series, 68µF/200V.
- (1) Multiple HAE200W series module can be synchronized together simply by connecting the Sync pins together. Care should be taken to ensure the ground potential differences between modules are minimized.  
(2) In this configuration all of the modules will be synchronized to the highest frequency module.  
(3) Up to three modules can be synchronized using this technique.  
(4) More relevant information in datasheet.
- (1) Thermal test condition with vertical direction by natural convection (20LFM).  
(2) The iron base-plate dimension is 19" X 3.5" X 0.063" (The height is EIA standard 2U).  
(3) The heat-sink is optional and P/N: 7G-0021A-F, 7G-0022A-F, 7G-0023A-F, 7G-0024A-F. Please refer to heat-sink selection guide.
- The HAE200W series standard module meets EN55011, EN55022 Class A and Class B with external components.
- An external input filter capacitor is required if the module has to meet EN61000-4-4, EN61000-4-5.  
The HAE200-24S□□W and HAE200-48S□□W recommended 2 pcs of aluminum electrolytic capacitor (Nippon Chemi-con KY series, 220µF/100V) to connect in parallel.  
The HAE200-110S□□W recommended 3 pcs of aluminum electrolytic capacitor (Ruby-con BXF series, 100µF/250V) to connect in parallel.
- CASE GROUNDING : Connecting four screw bolts to shield plane will help to reduce the EMI.
- For further information, please contact with P-DUKE.

**CAUTION:** This power module is not internally fused. An input line fuse must always be used.

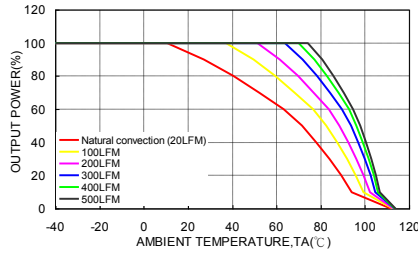
# HAE200W SERIES

DC/DC Power Modules: 200 watts

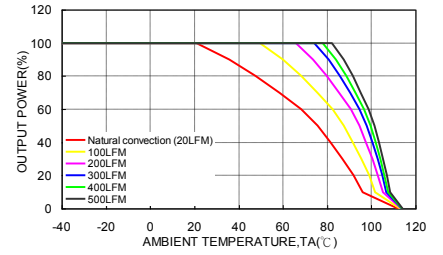
## CHARACTERISTIC CURVE



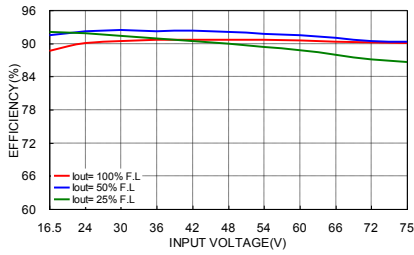
HAE200-48S05W Derating Curve (Note 3)



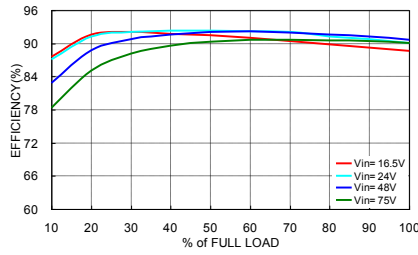
HAE200-48S05W Derating Curve (Note 3) With 0.24" Height Heat-sink



HAE200-48S05W Derating Curve (Note 3) With 0.45" Height Heat-sink



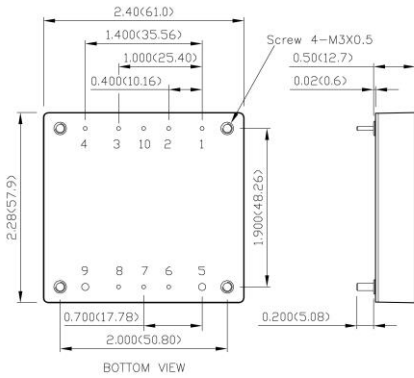
HAE200-48S05W Efficiency vs. Input Voltage



HAE200-48S05W Efficiency vs. Output Load

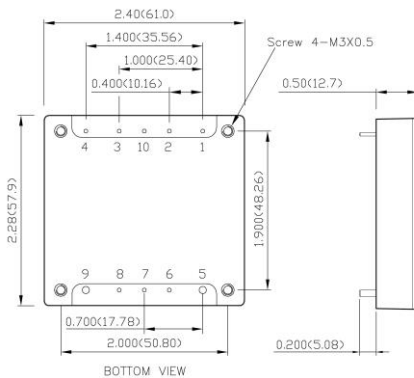
## MECHANICAL DRAWING - PCB Mounting

### HAE200-24S□□W, HAE200-48S□□W



1. All dimensions in inch (mm)
2. Tolerance :x.xx±0.02 (x.x±0.5)  
x.xxx±0.01 (x.xx±0.25)
3. Pin pitch tolerance ±0.01 (0.25)
4. Pin dimension tolerance ±0.004(0.1)
5. Mounting screws should always be used.
6. The screw locked torque:  
MAX 5.0kgf-cm/0.49N-m

### HAE200-110S□□W



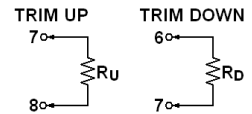
1. All dimensions in inch (mm)
2. Tolerance :x.xx±0.02 (x.x±0.5)  
x.xxx±0.01 (x.xx±0.25)
3. Pin pitch tolerance ±0.01 (0.25)
4. Pin dimension tolerance ±0.004(0.1)
5. Mounting screws should always be used.
6. The screw locked torque:  
MAX 3.5kgf-cm/0.34N-m

## PIN CONNECTION

PIN	DEFINE	DIAMETER
1	-Vin	0.04 Inch
2	Case (option)	0.04 Inch
3	Ctrl	0.04 Inch
4	+Vin	0.04 Inch
5	-Vout	0.08 Inch
6	-Sense	0.04 Inch
7	Trim	0.04 Inch
8	+Sense	0.04 Inch
9	+Vout	0.08 Inch
10	Sync (option)	0.04 Inch

## EXTERNAL OUTPUT TRIMMING

Output can be externally trimmed by using the method shown below.



$$R_U = \left( \frac{V_{OUT}(100 + \Delta\%)}{1.225\Delta\%} - \frac{(100 + 2\Delta\%)}{\Delta\%} \right) k\Omega$$

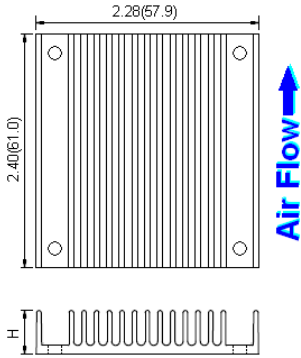
$$R_D = \left( \frac{100}{\Delta\%} - 2 \right) k\Omega$$

# HAE200W SERIES

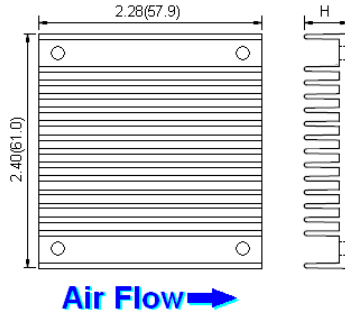
DC/DC Power Modules: 200 watts

## HEAT-SINK TYPE OPTIONS

Vertical Fin Orientation, Suffix: -HS, -HS2



Horizontal Fin Orientation, Suffix: -HS1, -HS3



<b>HS:</b>	Height H=0.45" vertical fin, 7G-0021A-F
<b>HS1:</b>	Height H=0.24" horizontal fin, 7G-0022A-F
<b>HS2:</b>	Height H=0.24" vertical fin, 7G-0023A-F
<b>HS3:</b>	Height H=0.45" horizontal fin, 7G-0024A-F

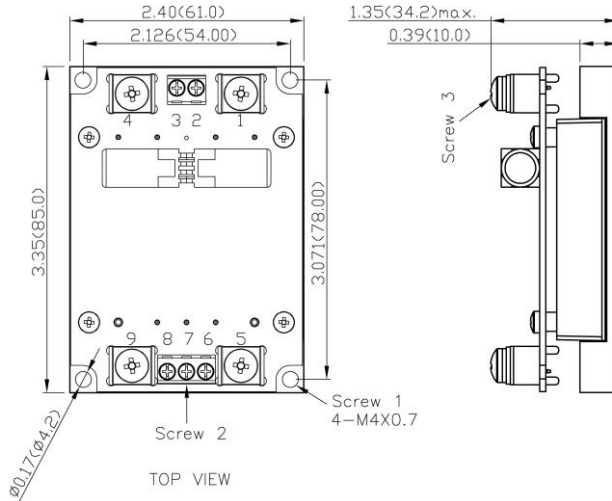
1. All dimensions in inch (mm)
2. Tolerance :x.xx±0.02 (x.x±0.5)  
x.xxx±0.01 (x.xx±0.25)

# HAE200W SERIES

DC/DC Power Modules: 200 watts

## TERMINAL BLOCK TYPE OPTIONS

### HAE200-□□S□□W-T ( Standard Terminal Block )

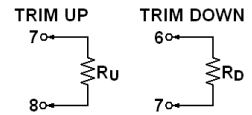


### TERMINAL CONNECTION

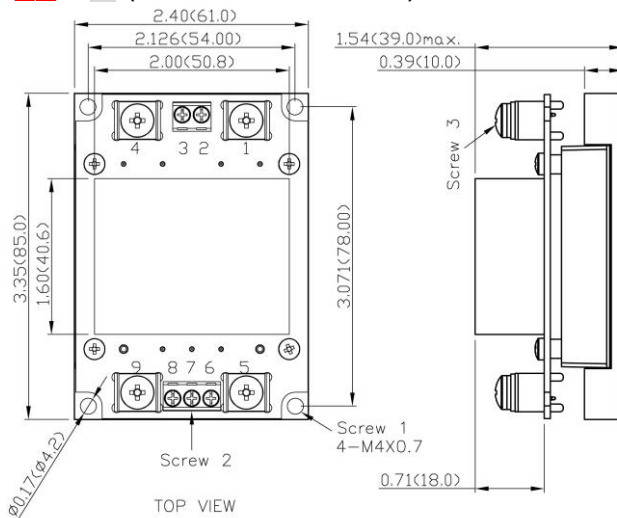
NO.	ASSIGNMENT
1	-Vin
2	NC
3	Ctrl
4	+Vin
5	-Vout
6	-Sense
7	Trim
8	+Sense
9	+Vout

### EXTERNAL OUTPUT TRIMMING

Output can be externally trimmed by using the method shown below.



### HAE200-□□S□□W-TF ( Terminal Block with Filter )



$$R_U = \left( \frac{V_{OUT}(100 + \Delta\%) - (100 + 2\Delta\%)}{1.225\Delta\%} - \frac{(100 + 2\Delta\%)}{\Delta\%} \right) k\Omega$$

$$R_D = \left( \frac{100}{\Delta\%} - 2 \right) k\Omega$$

- All dimensions in inch (mm)
- Tolerance : x.xx±0.02 (x.x±0.5)  
x.xxx±0.01 (x.xx±0.25)
- Screw 1 locked torque:  
MAX 11.2kgf-cm/ 1.10N-m
- Screw 2 locked torque:  
MAX 5.2kgf-cm/ 0.51N-m
- Screw 3 locked torque:  
MAX 16.8kgf-cm/ 1.65N-m

### HAE200-□□S□□W-TF1 ( Terminal Block with Filter )

