

DCW102 SERIES

DC / DC Converter Dual Output: 100 Watts



Specifications

Input Voltage	20 ~60VDC 65 ~ 160VDC <ul style="list-style-type: none">Other voltages on request
Input Protection	Internal Fuse Inrush current limiting Reverse polarity protection
Isolation	Input - Output 2250 vdc Input – Chassis 1500 vdc Output – Chassis 500 vdc
Efficiency	Model dependent, typically 80%
Output voltage	Two isolated outputs that are floating and independently regulated.
Output Power	50 ~ 100 watts
Voltage adjustment	To be specified on order
Immunity	EN61000-4
EMI	EN55022 Class A
Line Regulation	±1%
Load Regulation	±1%, 5% for second output
Output Protection	<ul style="list-style-type: none">Over voltage protectionCurrent limiting with hiccup mode.Thermal protection
Short Circuit Protection	Current limiting with hiccup mode
Output Ripple & Noise	1% of output pk-pk (20MHz BW)
Operating Temp.	0°C to +50°C at full load. Extended operating temperature option.
Humidity	5 ~95% non-condensing
Environmental Protection	Conformal coating and heavy ruggedizing - Option
Cooling	Conduction cooled or Convection cooled.
Indicators	None
Output Alarm	Optional
Parallel Operation	No.
Terminals	Screw- type terminal block (other options on request)
Dimensions	94 x 48 x 160mm (F0 package)
Weight	0.6kg

Features

- Wide range of input / output voltage combinations
- Convection cooled: No fans
- Fully isolated input – outputs
- Two fully isolated & regulated outputs 100W power
- Over voltage protection
- Overload and short circuit protection
- MTBF > 100,000hrs
- Output voltage options up to ±130Vdc is possible
- Ruggedized & Conformal coated,
- **DCW102R** (Rail Spec option) suitable for Rail applications and other rugged environments.

Description

The **DCW102** Series DC/DC converter, is designed to provide two isolated output voltages, that customer specifies with output power up to 100 watts.

It is a mature design with a proven track record in many applications. and equipped standard protection features.

Rated for operation over 0°C to +55°C temperature range without derating. It is cooled by conduction & natural convection and finished in a clean vented case with mounting flanges for pane mounting/

Optional ruggedization and conformal coating for immunity to shock, vibration, humidity, moisture, dust and insects.

This chassis-mount design is optimized for low component count and high efficiency. The use of components with established reliability results in a high demonstrated MTBF.

Options

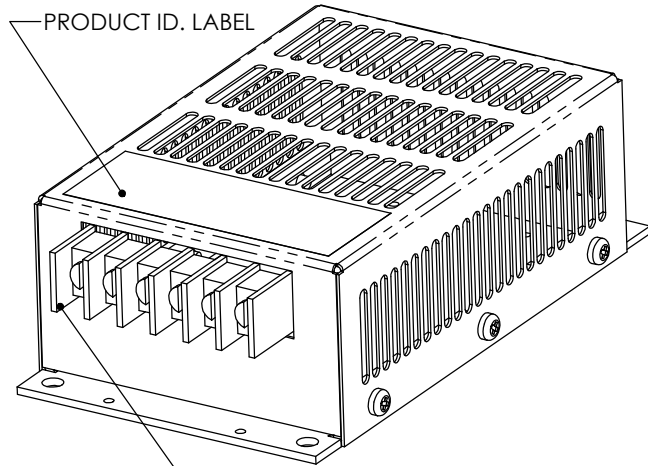
Output Voltage	Special voltage outputs
Terminals	Customer specified connectors
Ruggedization	For increased immunity to shock and vibration

Model	Input Options	Standard Outputs	Power W
	V	V A	
DCW102	24V, 36V, 48V	V1: 12V 2A	100W
	72V, 110V	V2: 12V 2A	

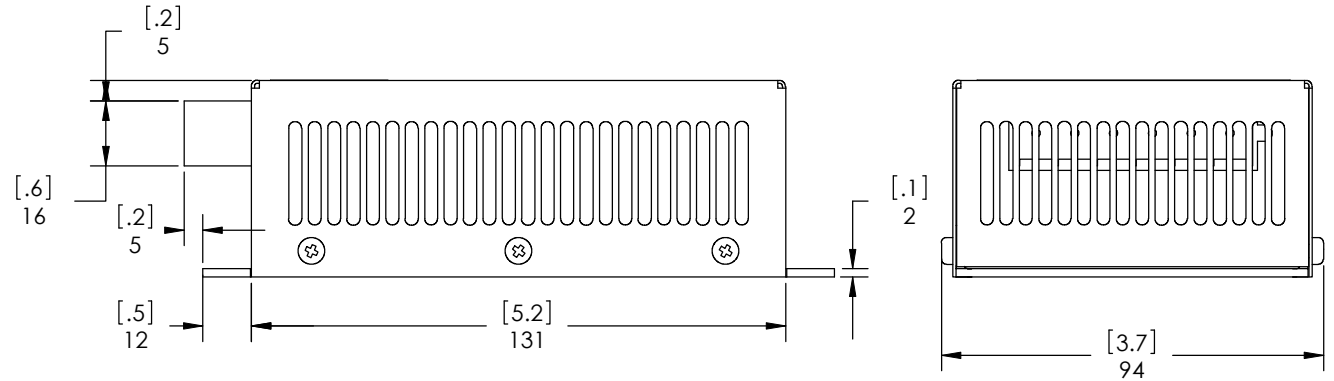
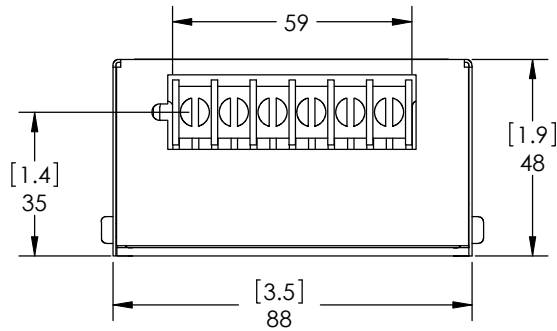
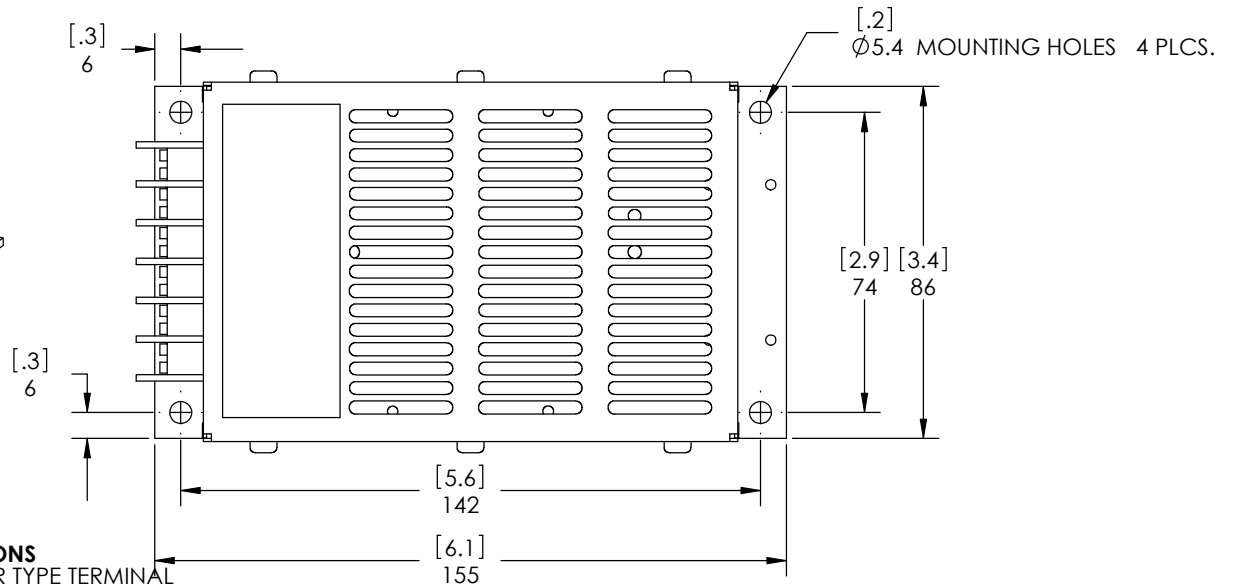
1. These **DCW102** is manufactured to order with customer specifying the input / output voltage combinations.
2. With the standard design, we can make voltages up to ±130Vdc, within a maximum current of 2A for any output and combined power up to 100 watts
3. The units can be supplied with two isolated outputs that can be connected in series, or as a ± output with common return

DCW102 SERIES

DC/DC Converters Dual Output: 100 Watts



INPUT & OUTPUT CONNECTIONS
CURTIS 38000 SERIES 6 POLE BARRIER TYPE TERMINAL
WITH 6-32 UNC SCREWS



DIMENSIONS ARE IN MILLIMETERS
[INCHES] TOLERANCES ON
DECIMALS: XXX ± 0.2mm
XX ± 0.3mm
ANGLES: ± 2°
FRACTIONS: ± 0.4mm
UNLESS OTHERWISE STATED

THIS DOCUMENT IS THE PROPERTY
OF AMTEX ELECTRONICS LTD.
ITS CONTENTS ARE PROPRIETARY AND
MAY NEITHER BE COPIED, REPRODUCED
NOR ITS CONTENTS DISCLOSED TO OTHERS
WITHOUT PRIOR WRITTEN AGREEMENT
FROM AMTEX ELECTRONICS LTD.

Title: OUTLINE DRAWING

Part of: F0 PACKAGE

