

BAP Euro SERIES

DC/DC Converters Single Output: 200 - 500 Watts



Features

- Eurocard plug-in modules for 3U and 4U x 19in rack systems
- Input voltage options from 24 - 140VDC
- Three power levels: 200, 300 and 500 watts
- Constant current overload protection
- Input - Output isolation
- Suitable for a wide range of industrial and Telecom applications
- Battery charging option
- Mature product, field proven reliability
- **N+1** redundancy of converter modules
- DC fail alarm
- Customer specified input and output voltage options

General Specifications

Input Voltage:	24VDC (21 - 30) 48VDC (42 - 60) 72VDC (60 - 85) 110VDC (90 - 140) • Other options on request)
Output Power:	Modules: 200, 300 and 500 watts 3U Rack up to 6 x 200W modules 4U Rack up to 5 x 300W or 500W modules
Output Voltage:	12 - 125VDC
Voltage Range:	±5% adjustment via on-board trim pot (other options on request)
Load Regulation:	±1.5%
Line Regulation:	±1%
Isolation:	Input - Output: 1500VDC (2250V option)
EMC:	EN55022 Class A
Operating Temp:	-0°C to +50°C, derate linearly to 70°C
Efficiency:	Model dependent, typically 85%
Protection:	Overvoltage protection Overload protection - constant current Thermal protection
Cooling:	Convection cooled
Parallel:	Yes. Parallel with N+1 Redundancy
Alarm:	Optocoupler alarm on modules DC Fail Alarm (voltage free contacts on Rack)
Indicator:	Led on front panel Test points on front panel
Terminals:	H15 DIN connector modules Screw terminals on rear of Rack
Dimensions:	BAP236: 3U x 14HP x 220mm DCP65: 4U x 16HP x 304mm BAP419: 4U x 16HP x 304mm

Description

The **BAP Euro** series DC/DC converters are a field proven product with over 20 years track record.

These **Plug-in** modules are designed for insertion/assembly into industry standard 19in racks, which can be manufactured to customer specifications and come fully wired ready for installation.

Available in two mechanical styles, 3U 200W and or 4U 300W and 500W modules. Each module has a built-in isolation diode for **N+1** Redundancy applications for critical systems that require no break power.

Up to six 3U/200W modules can be assembled into one 3U x 19in rack and up to five 4U/300-500W modules into one 4U x 19in rack.

Complete power rack systems can be supplied, offering a total solution to any DC/DC converter application.

Designed for a wide range of industrial applications, with input voltage options from 24 - 140VDC and any output voltage from 12 - 125VDC

Options

Ruggedising:	Modules can be supplied with conformal coating of PCB's and a high level of ruggedisation for harsh environments.
Output Voltage:	Any output voltage option from 12 - 125VDC
Racks:	Rack systems can be designed to meet customer requirements.

Model	Output Voltage Options V	Maximum Output A	Power W
BAP236	12 - 125V	25A	200W
DCP65	12 - 125V	35A	300W
BAP419	12 - 125V	40A	500W

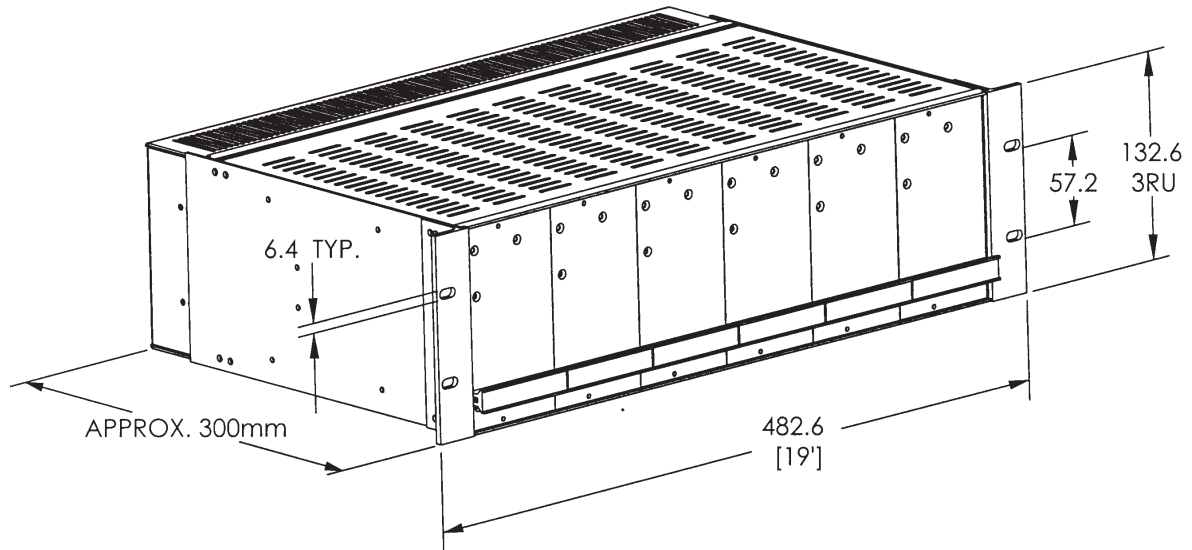
Model Selection:

1. Any output voltage is possible, within the range of 12 - 125V.
2. Input & output voltage settings are customer specified and factory set.
3. Output current must not exceed the maximum indicated.
4. Part number will be allocated at time of order.
5. A number of units can be connected in parallel for increased power and N+1 redundancy applications - option.

BAP Euro SERIES

DC/DC Converters Single Output: 200 - 500 Watts

3U x 19" Rack System (Using 200W modules)



4U x 19" Rack System (Using 300/500W modules)

