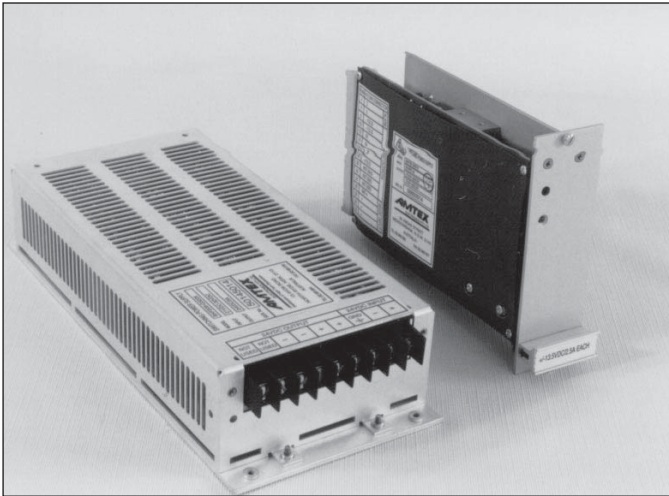


## BAF SERIES

DC/DC Single & Multi Output: 80 - 120 Watts



### Features

- 80 - 120W modules.
- 24 - 140VDC input standard, other options on request.
- Customised output voltage settings.
- Eurocard or Enclosed vented case options.
- N+1 redundancy option on some models.
- Alarm option, optocoupler or relay.
- Full electronic protection & field proven design topology.
- Quality components, high MTBF >100,000 hrs.
- EN55022 Class B conducted.
- Meets international safety and EMC standards.

MODEL	Output		Power W	Package	
	V	A		Enclosed	Eurocard
BOP09	5~60V	20A	150W	F1 - B	3E1 - 10
BAF109	5~30V	6A	100W	F2	3E2 - 8
	5~30V	6A			
BAF209	5~30V	10A	150W	F2	3E2 - 10
	5~30V	10A			
BAF110	+5~24V	6A	80W	F2	3E2 - 8
	±5~24V	1A			
BAF210	+5~24V	10A	120W	F2	3E2 - 10
	±5~24V	1A			

### Notes:

1. Any voltage setting available within the range indicated.
2. Output voltage is customer specified and factory set.
3. Output current must not exceed maximum indicated.
4. Maximum power must not be exceeded.
5. Part No. will be factory allocated at time of order.
6. A number of units of the same model can be connected in parallel for increased power.

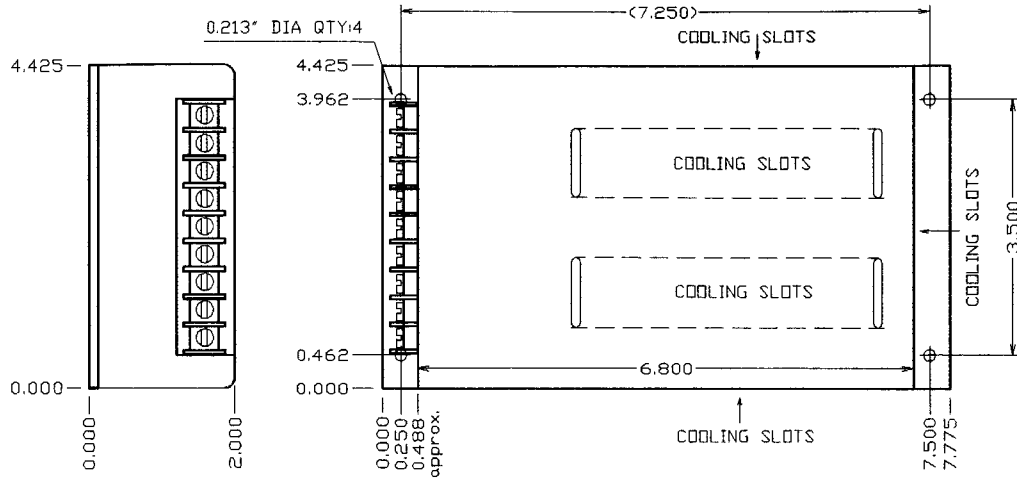
### Specifications

<b>INPUT VOLTAGE:</b>	24VDC (21-29), 48VDC (42-60) 72VDC (60-85), 110VDC (90-140) Other options on request
<b>INPUT PROTECTION:</b>	Reverse polarity protection. Thermal fuse
<b>ISOLATION:</b>	Input-output/chassis: 500VDC Output-chassis: 500VDC (2250V optional)
<b>SAFETY:</b>	Designed to meet IEC950, UL1950, AS3260
<b>EFFICIENCY:</b>	Model dependent typically 85%
<b>OUTPUT VOLTAGE:</b>	Any combination 5V to 30VDC. V out is customer specified and factory set
<b>OUTPUT POWER:</b>	80-120W: refer to table Voltage and current combination must not exceed power level indicated in table.
<b>VOLTAGE ADJUSTMENT:</b>	±5.0% V1 only, other options on request
<b>PARALLEL OPERATION:</b>	Most models can be connected in parallel for n+1 redundancy...consult office.
<b>LINE REGULATION</b>	±0.5% over input range
<b>LOAD REGULATION:</b>	±1.5% from no load to full load, excluding redundancy diode
<b>OUTPUT PROTECTION:</b>	<ul style="list-style-type: none"> <li>• Overvoltage protection</li> <li>• Rectangular current limit</li> <li>• Short circuit protection</li> </ul>
<b>EMI/RFI:</b>	EN55022 Class B conducted.
<b>RIPPLE &amp; NOISE:</b>	Output ripple and noise 1.0% max. of V out pk-pk or 0.2%rms (20Hz BW)
<b>OPERATING TEMP:</b>	0° to 50°C at full load. Derating required from 50°-70°C. Consult office
<b>HUMIDITY:</b>	5-95% non condensing. Conformal coating optional
<b>COOLING:</b>	Convection / conduction cooled
<b>HOLD-UP TIME:</b>	Typically 4ms at nominal input
<b>TERMINALS:</b>	Eurocard Units: DIN4162 H15 spade. Vented Case: screw terminal
<b>ALARM (Option "A"):</b>	Converter output fail: voltage free relay change over contacts. Other options on request.
<b>REDUNDANCY (Option "R"):</b>	Redundancy diode option for n+1
<b>MECHANICAL...</b>	
<b>Vented Case Package:</b>	F1B: 198 x 113 x 52mm 1.5kg. F2: 254 x 114 x 58mm 2.0kg.
<b>Eurocard Package:</b>	3E2-8: 3U x 220 x 8HP 3E2-10: 3U x 220 x 10HP

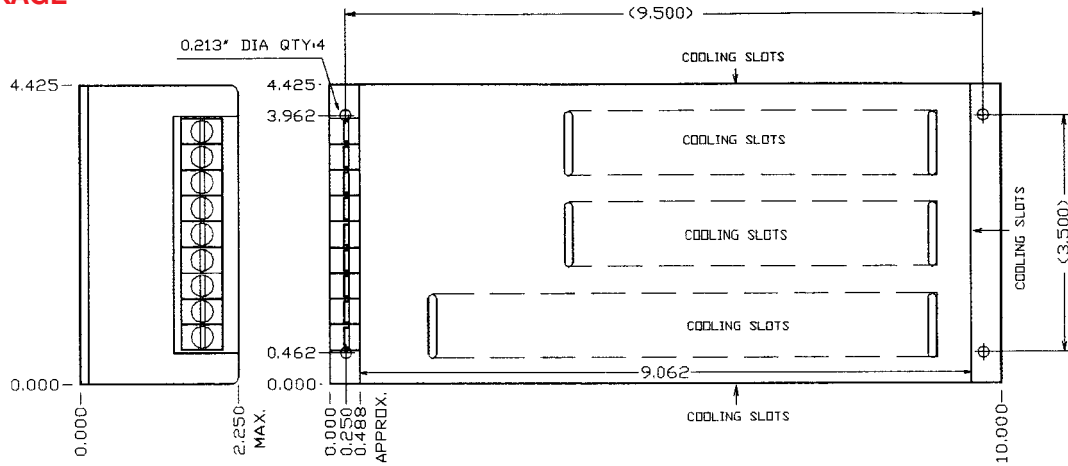
# BAF SERIES

DC/DC Single & Multi Output: 80 - 120 Watts

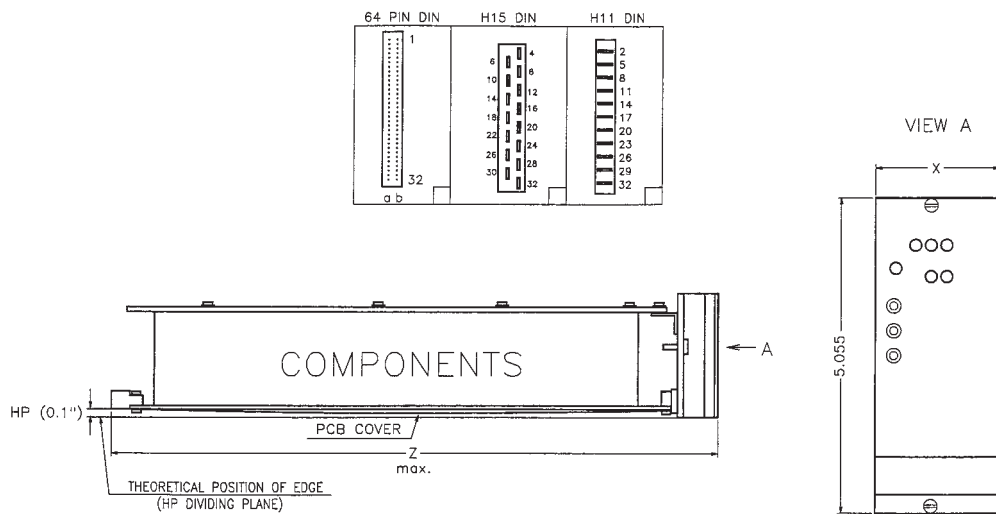
## F1 PACKAGE



## F2 PACKAGE



## 3U EUROCARD PACKAGE



X [HP; INCH]	Z max [mm]
8HP: 1.585"	7.500" or 9.600" max
10HP: 1.985"	7.500" or 9.600" max
12HP: 2.385"	7.500" or 9.600" max

All dimensions in inches

STANDARD 160mm/220mm EUROCARD

# BAP SERIES

DC/DC Single Output: 200 - 500 Watts



## Features

- Any input voltage from 12 - 140V is possible.
- High density/compact package.
- Any output voltage from 12V to 120V is possible.
- Suitable for battery charging applications.
- N+1 redundancy option.
- Alarm option, optocoupler or relay.
- Full electronic protection and field proven design topology.
- Quality components, high MTBF > 100,000hrs.
- Thermal shutdown.
- Meets international safety and EMC standards.

MODEL	Output V	A	Power W	Package
BAP236	12~120V	30A	200W	F2
BAP236	12~120V	30A	200W	3E2 - 14
BAP65	12~120V	40A	300W	F3
DCP65	12~120V	40A	300W	4E3 - 16
BAP319	12~120V	40A	500W	F4
BAP319	12~120V	40A	500W	3U x 19RM
BAP419	12~120V	40A	500W	FX
BAP419	12~120V	40A	500W	4E3 - 16

Notes:

1. Any voltage setting available within the range indicated.
2. Output voltage is customer specified and factory set.
3. Output current must not exceed maximum indicated.
4. Maximum power must not be exceeded.
5. Part No. will be allocated at time of order.
6. A number of units of same model can be connected in parallel for increased power.

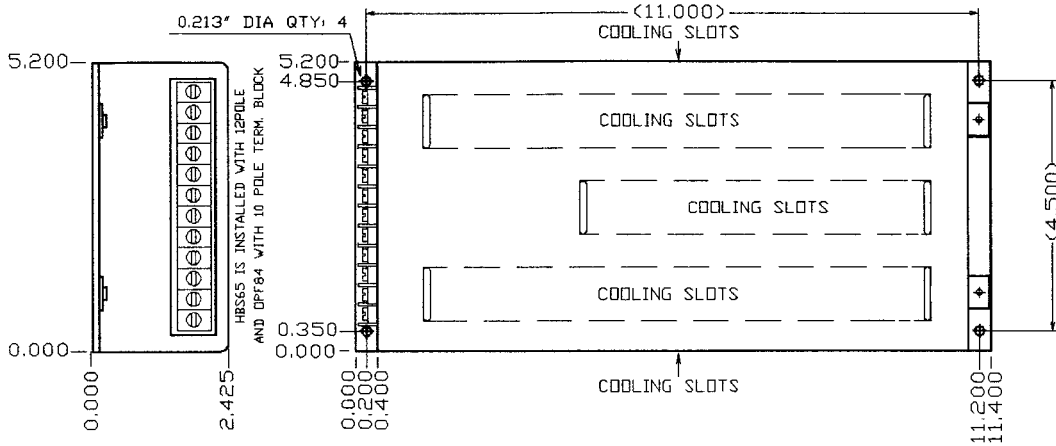
## Specifications

<b>INPUT VOLTAGE:</b>	24VDC (21-29) 48VDC (42-60) 72VDC (60-85) 110VDC (90-140) Other options on request
<b>INPUT PROTECTION:</b>	Reverse polarity protection. Low input voltage shutdown. Thermal fuse.
<b>ISOLATION:</b>	Input - output/chassis: 500 VDC Output - chassis: 500 VDC (2250V optional)
<b>SAFETY:</b>	Designed to meet IEC950, UL1950, AS3260
<b>EFFICIENCY:</b>	Model dependent, typically 85%
<b>OUTPUT VOLTAGE:</b>	Any combination 12V to 120VDC.
<b>OUTPUT POWER:</b>	200-500W, refer to table. Voltage and current combination must not exceed power level indicated in table.
<b>VOLTAGE ADJUSTMENT:</b>	±5.0%, other options on request.
<b>PARALLEL OPERATION:</b>	Yes. A number of units of the same model can be connected in parallel for increased power or n+1 redundancy.
<b>LINE REGULATION:</b>	±0.5% over input range.
<b>LOAD REGULATION:</b>	±1.5% from no load to full load, excluding redundancy diode.
<b>OUTPUT PROTECTION:</b>	<ul style="list-style-type: none"> <li>• Overvoltage protection</li> <li>• Rectangular current limit</li> <li>• Short circuit protection</li> <li>• Thermal protection in case of reduced air flow</li> </ul>
<b>EMI/RFI:</b>	EN55022 Class A emissions
<b>RIPPLE &amp; NOISE:</b>	Output ripple and noise 1% max. of V out pk-pk or 0.2rms (20Hz BW)
<b>OPERATING TEMP:</b>	0° to 50°C at full load. Consult office for derating from 50°-70°C
<b>HUMIDITY:</b>	10 - 95% non-condensing. (Conformal coating optional)
<b>COOLING:</b>	Convection / conduction cooled
<b>HOLD UP TIME:</b>	Typically 4ms at nominal input
<b>TERMINALS:</b>	Eurocard units: DIN41612 H15 spade Vented Case: screw terminal
<b>ALARM (Option A):</b>	Converter output fail: voltage free relay changeover contacts. Other options on request.
<b>REDUNDANCY (Option R):</b>	Redundancy diode option for n+1
<b>MECHANICAL... Vented Case Package:</b>	F2: 254 x 113 x 58mm 2kg F3: 290 x 132 x 62mm 2.5kg F4: 351 x 133 x 62mm 3kg FX: 351 x 153 x 67mm 3kg
<b>Eurocard Package:</b>	3E2-10: 3U x 220 x 10HP 3E2 - 14: 3U x 220 x 10HP 4E3-14: 4U x 330 x 14HP 4E3-16: 4U x 330 x 16HP

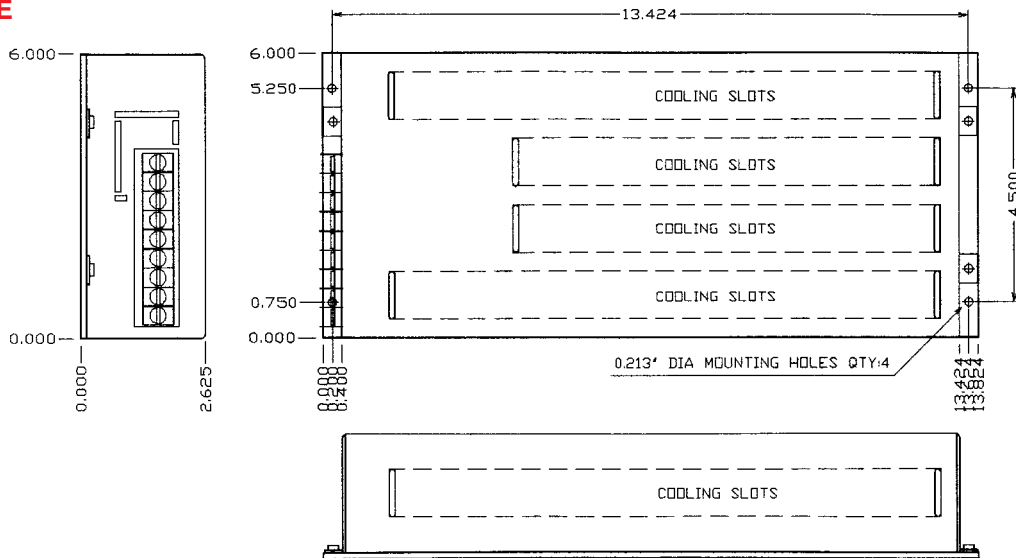
# BAP SERIES

DC/DC Single Output: 200 - 500 Watts

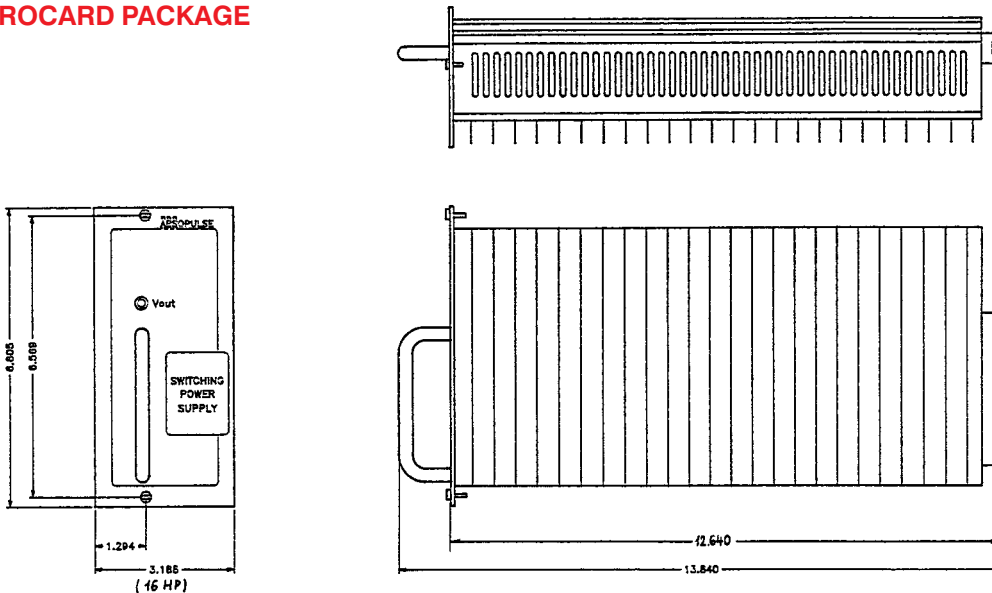
## F3 PACKAGE: (F2, F4 similar style, different dimensions)



## FX PACKAGE



## 4E3 - 16 EUROCARD PACKAGE



All dimensions in inches